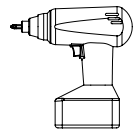


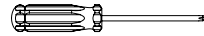
**TOOLS**



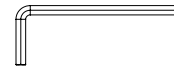
**Impact Drill**



**#3 Phillips Bit**

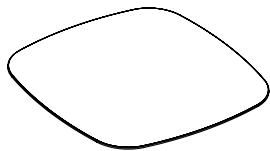


**#3 Phillips Screwdriver**

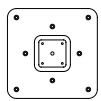


**5mm Hex Key**

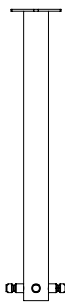
**PARTS & HARDWARE LIST**



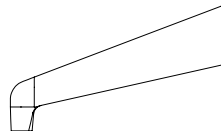
**A**  
**Tabletop**  
 (1)



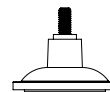
**B**  
**Mounting Plate**  
 (1)



**C**  
**Steel Column with mounting pins**  
 (1)



**D**  
**Aluminum Feet**  
 (4)



**E**  
**ZIA Glides**  
 (4)



**F**  
**M6 Phillips Flat Head Bolts**  
 (4)

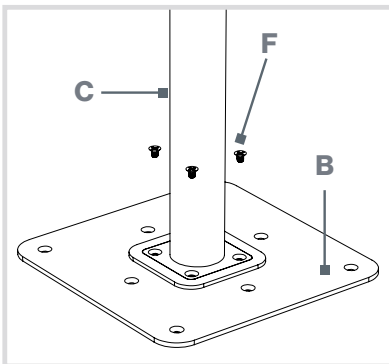


**G**  
**M8 Phillips Flat Head Bolts**  
 (1)



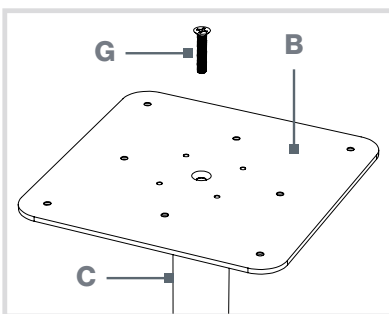
**H**  
**Wood Screws**  
 (8)

**ASSEMBLY STEPS**

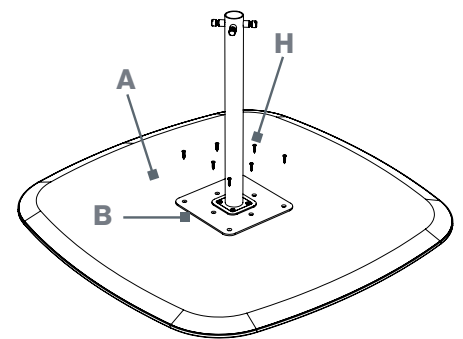


**1.** Lay the tabletop **(A)** upside down on a piece of cardboard or a carpeted surface.

**2.** Install (4) M6 flat head bolts **(F)** through steel column **(C)** into mounting plate **(B)**.



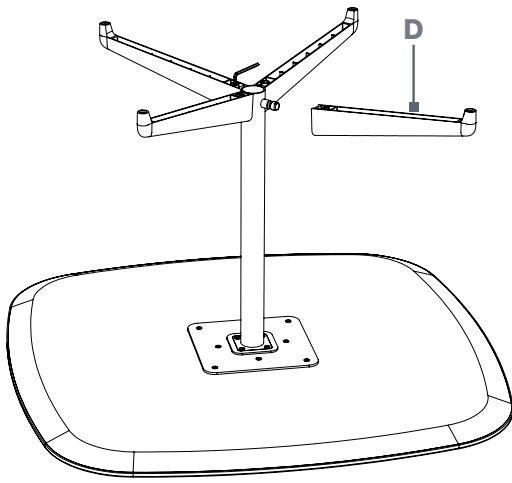
**3.** Install (1) M8 flat head bolt **(G)** through mounting plate **(B)** into steel column **(C)**.



**4.** Attach mounting plate **(B)** onto the bottom of the table top **(A)** using (8) Phillips wood screws **(H)**.

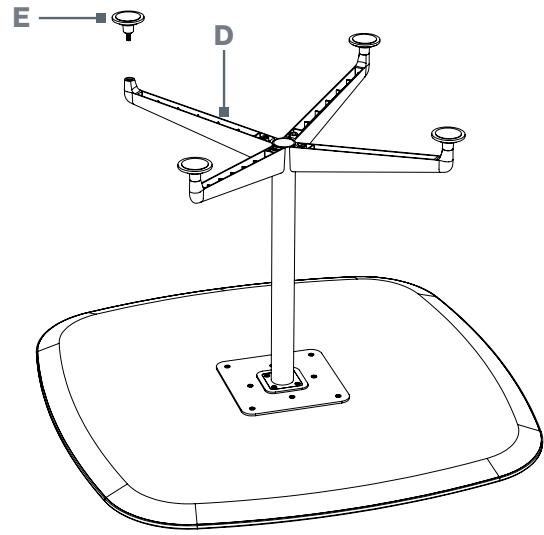
**5.** Ensure that all mounting pins are secure on the column. If necessary, use a 14mm wrench to tighten.

FOR MISSING PARTS OR QUESTIONS, PLEASE CALL CUSTOMER SERVICE AT 888-705-0777.



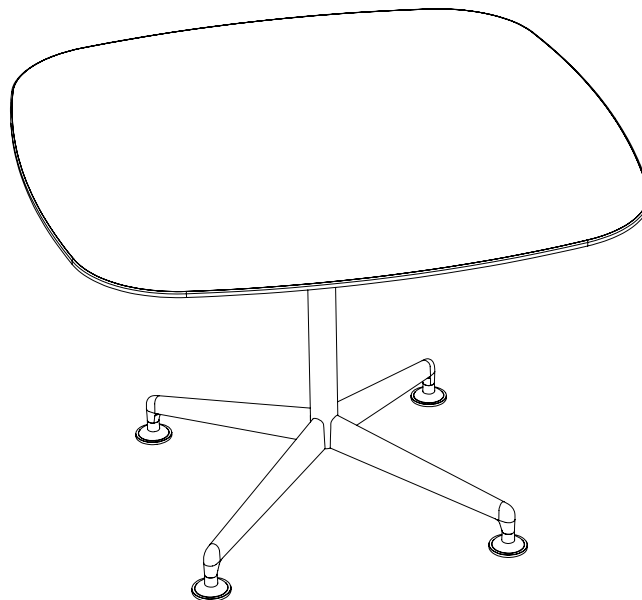
**6.** Place (4) aluminum feet **(D)** onto pins.

**7.** Tighten (4) aluminum **(D)** feet onto pins using the 5mm Hex Key. *(Mounting hardware comes pre-installed in foot.)*



**8.** Attach (4) glides **(E)** to (4) aluminum feet **(D)**.

**9.** Ensure all feet are fully attached to the column and carefully flip the table upright.



ZIA HOSPITALITY | SOFT-SQUARE TOP