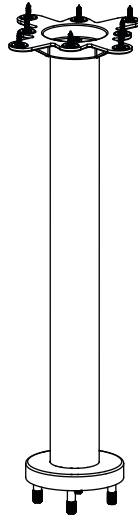


Bolt-down Base with 6" Floor Plate Assembly Instructions

Parts Included:

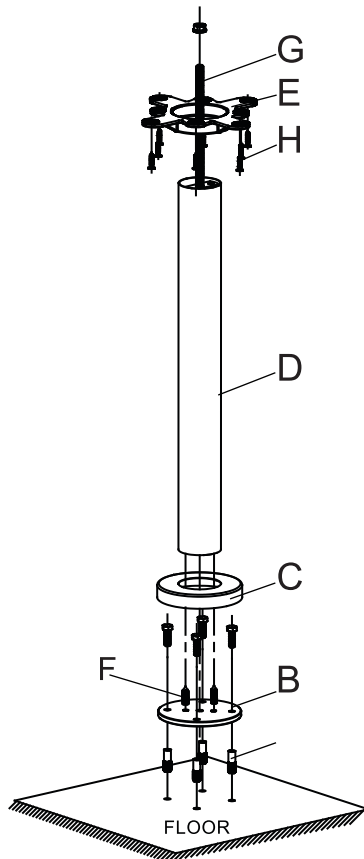
- A Expansion bolts
- B 6" bolt down plate (for floor)
- C Bolt down plate cover
- D Column
- E Mounting plate (with set screws)
- F Set screws
- G Rod
- H Phillips pan head screws



Tools Needed:

- Phillips screwdriver or impact drill
- 3/8" hex bit
- 18mm socket
- Safety glasses

If you are missing parts or have any questions about the product, please call Customer Service at 888-705-0777.



Base Assembly

1. Place column through center hole of bolt down plate cover (C).
2. Place column (D) on top of bolt down plate (B).
3. Place mounting plate (E) on top of the column (D).
Note: set screws (F) must be inserted in the slot on the top of the column.
4. Insert rod (G) through the mounting plate (E) and column (D) and screws into the bolt down plate (B). Tighten rod with an 18mm socket.
5. Use expansion bolts (A) to connect the base to the floor once top is installed.

Table Assembly

1. Lay the table top upside down on cardboard or carpeted surface.
2. Position an assembled base onto the table top and align holes in mounting plate with pre-drilled holes in the top.
3. Using screw driver or impact drill, install screws from hardware pack through the mounting plate and into the pre-drilled holes in the top.
4. Flip table upright and use expansion bolts (A) to connect the base to the floor. Enjoy your table!