

Apollo and Olympus (2TL and 2CL Bases) Table Assembly Instructions

Parts Included:

1. Columns (2)

2. Feet (2)

3. Hardware:

Bolts (4)

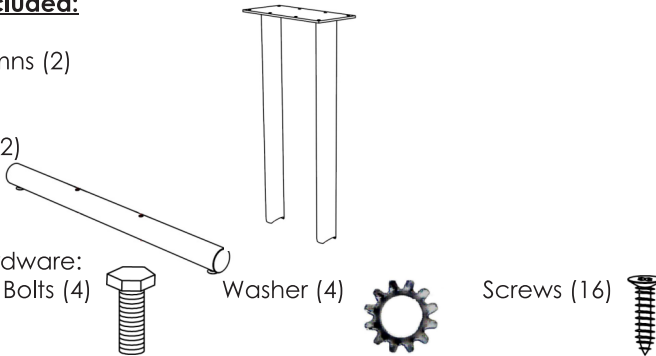
Washer (4)

Screws (16)

4. Table top (optional)

5. Steel table support (optional)

6. Casters (optional)



Tools Needed:

Screw driver or impact drill

#3 Phillips bit

Safety glasses

If you are missing parts or have any questions about the product, please call Customer Service at 888-705-0777.

Instructions

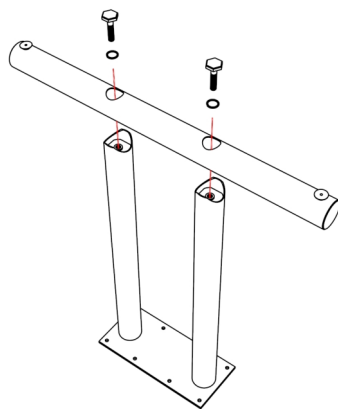
Base Assembly

- To assemble the bases, set mounting plate on the floor with the bottom of the columns up. Place the foot over the columns lining up the holes in the foot and the columns. Insert (2) bolt and washers through the foot and into the columns.
- To avoid cross-threading, start the bolts by hand. Use either 13mm ratchet wrench or impact drill to **tight bolt as much as possible**.

NOTE: if using optional casters, remove leveling glides from the threaded inserts on bottom of the legs. Thread two caster stems instead. Use 13mm wrench to tighten the stems. Firmly snap the casters onto the caster stems.

Table Assembly

- Lay table top upside down on cardboard or carpeted surface.
- Position bases on table edges and align holes in mounting plates with the pre-drilled holes in the table top. Use every hole in the mounting plate to attach the legs with screws.
- Use Phillips screwdriver or impact drill to install wood screws through the base in table top. **Fully tighten screws.**
- If steel table support is provided, attach it in the center of the table between the bases.
- Holding onto the edges of the top, carefully turn the table over in the upright position. Enjoy your table!



START BOLTS BY HAND TO PREVENT CROSS THREADING

