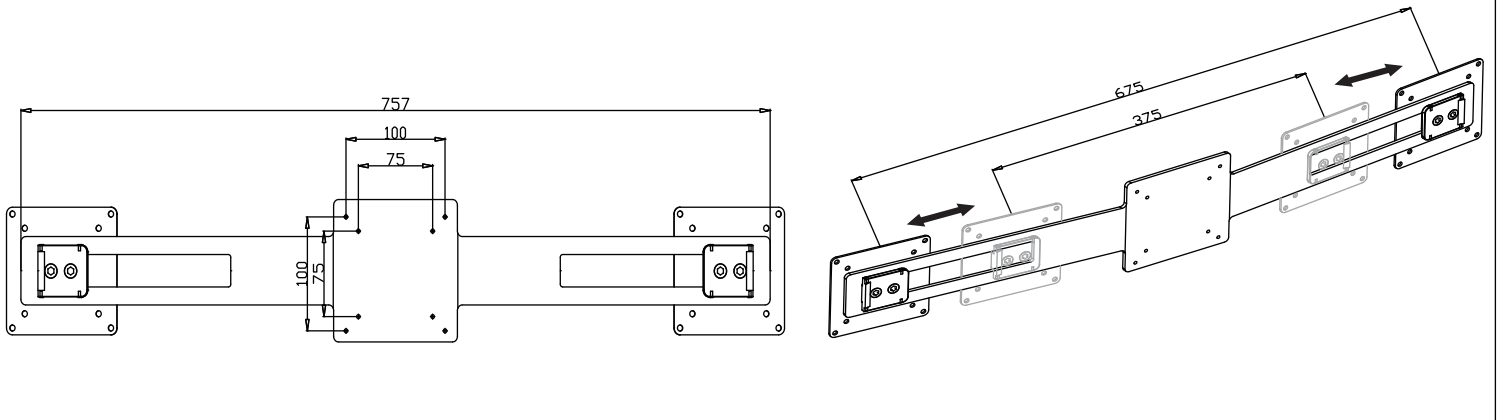
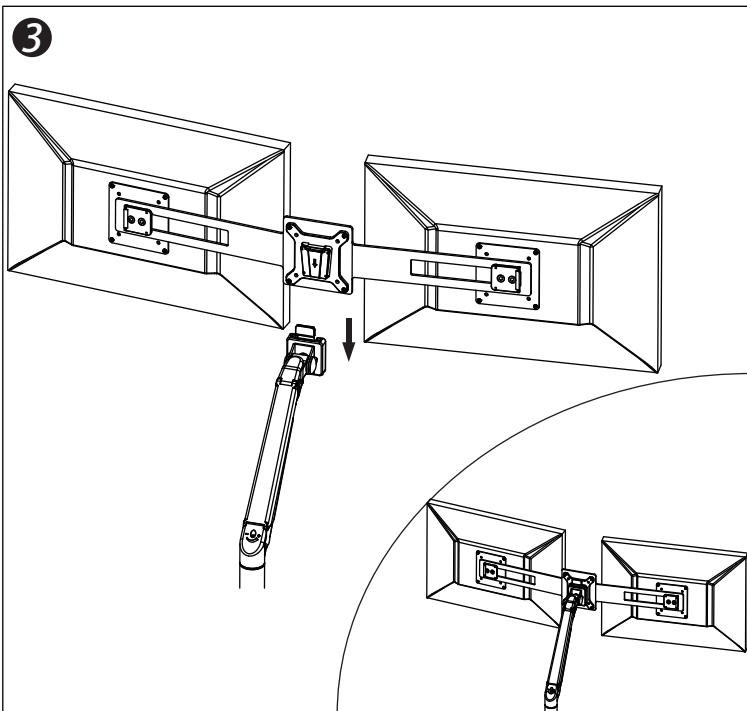
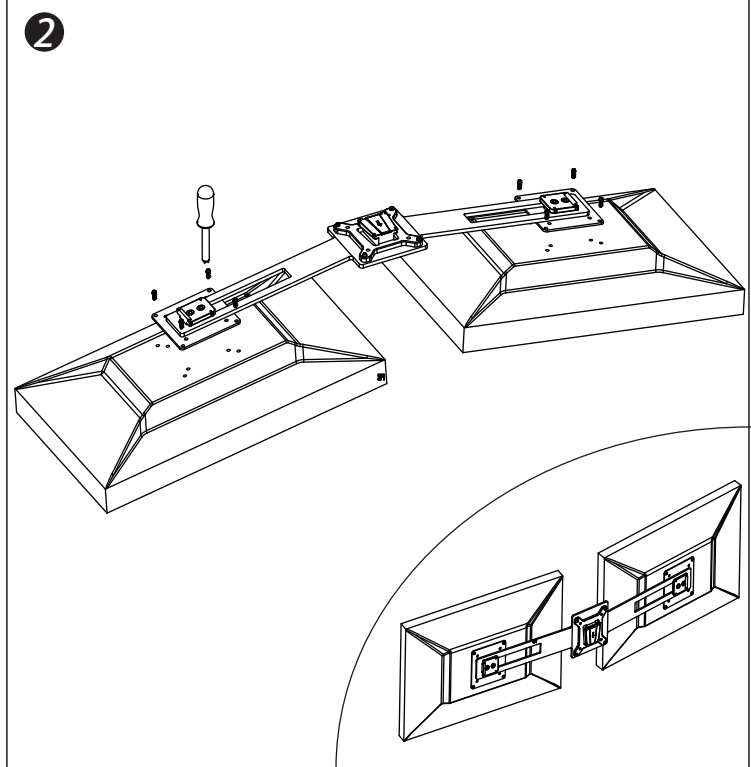
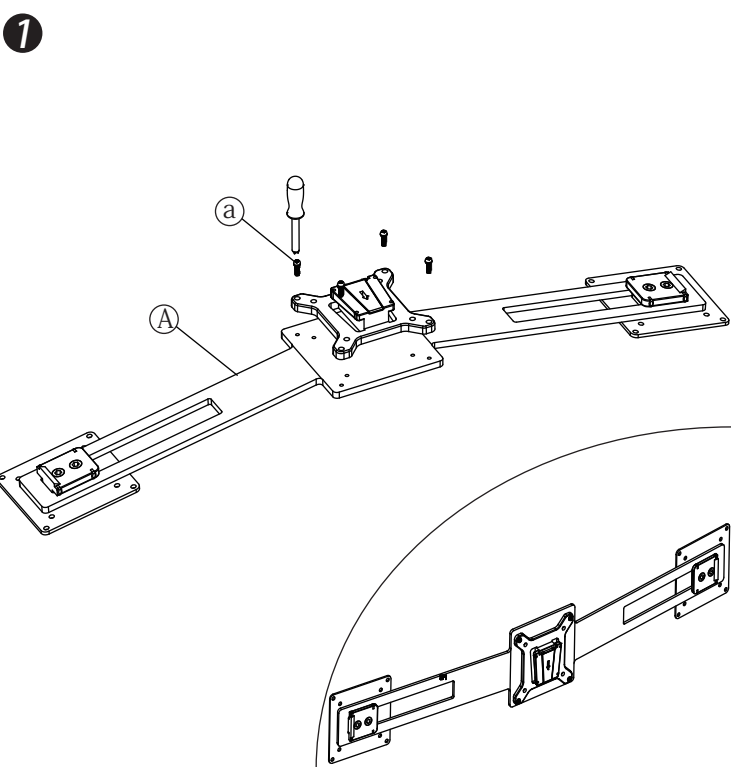


Product Size (mm)



Install Procedure



| Module List |        |       |          |
|-------------|--------|-------|----------|
| No.         | Sketch | Specs | Quantity |
| A           |        |       | 1        |

| Part List |        |       |          |
|-----------|--------|-------|----------|
| No.       | Sketch | Specs | Quantity |
| a         |        | M4X12 | 8        |
| b         |        | M4    | 1        |