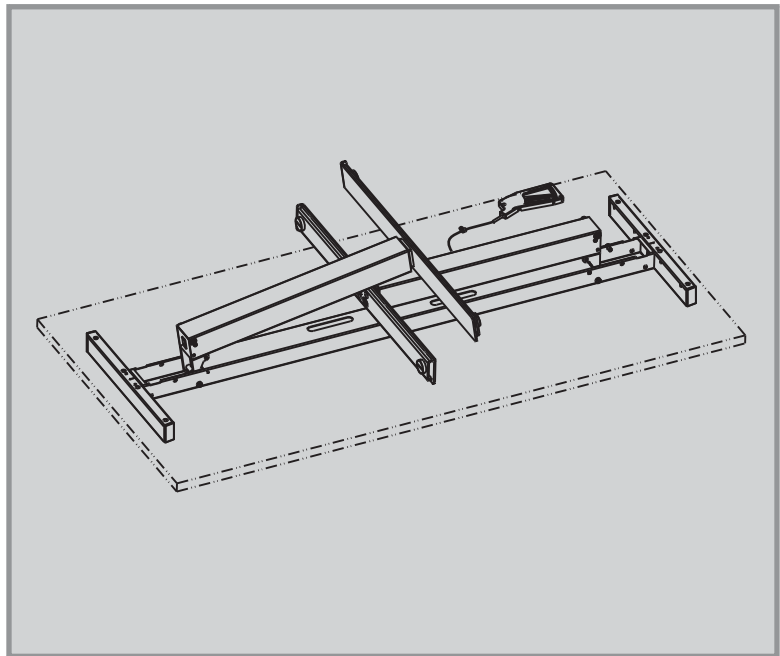
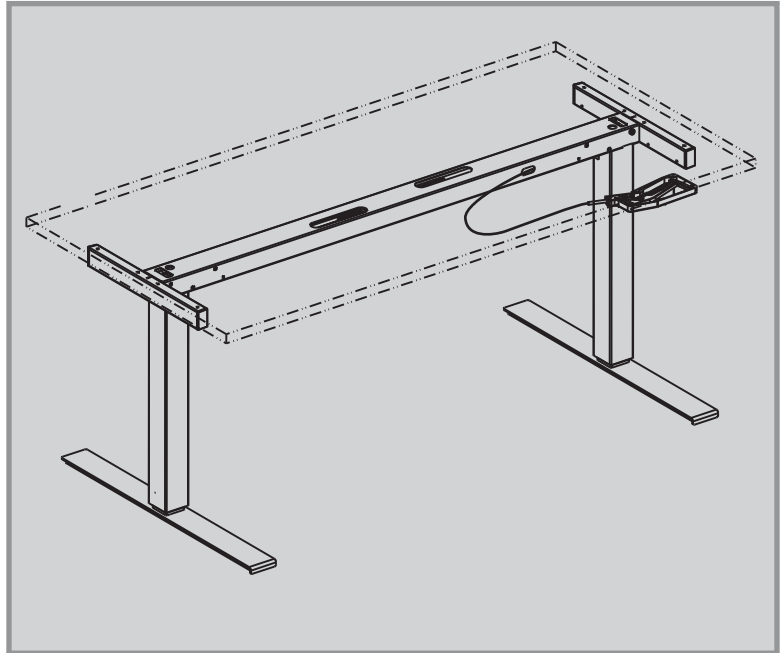


## PNEUMATIC Dual Column Height Adjustable Table Assembly Instructions



***We alert explicitly that you have to read this assembly guide and instruction manual completely before you start mounting the table. If you do not, you will expose yourself on your own responsibility to risks. This will not happen, if you adhere to the requirements in this manual.***

Subject to change without notice

**Caution!**

By assembling or setting up the base/table improper it will hold a major safety risk because its gas springs are under compression. Therefore it is compulsory to adhere to all safety requirements in this assembly guide and instruction manual. So, you provide safety for your own and somebody else.

Particularly during assembling and setting up the table, children or other persons who are not able to evaluate or understand the hazard must not be in the area of assembling before the table is setted up in its normal position for work.

This note on safety applies generally if not the table is setted up according to regulations on the ground or is not in use with the specified weight according to the requirements in this manual.

Also after setting up the table you have to make sure that this assembly guide and instruction manual is always in sight and handy, so that somebody else is always to be able to use it. Where required point out with responsibility to it.

The base is explicit designed for a one time assembling and not for a disassembling afterwards.

Dear Customer,

By choosing of the LPNM/500 you have acquired a high-performance 2 column lift base. We have manufactured your LPNM/500 with the utmost care and precision and it has passed numerous quality and safety checks to ensure trouble-free and safe operation. You can significantly contribute to your long-term satisfaction with your LPNM/500 model.

Important Safety Information:

1. Assembly and operation of the LPNM/500 must be done in accordance with these assembly and operating instructions - otherwise there is an extreme risk of injury.
2. The LPNM/500 is solely intended to serve as an ergonomic adjustment device for desks in accordance with the weights and measurements given in these assembly instructions. Any usage other than mentioned above is inappropriate; the manufacturer disclaims liability for any resulting damages. In such cases all risk is borne by the user.
3. Please also take into account the general, legal and other regulations and legal provisions that are applicable - including those that apply in the operator's country - as well as the applicable environmental protection regulations. The regulations of trade associations or other supervisory authorities that are in force locally must always be observed!
4. The manufacturer cannot be held responsible for any losses or damage resulting from unauthorised modifications to the LPNM/500.
5. Keep the assembly and operating instructions near the device.
6. Never leave children unattended with this base. Children can not properly evaluate the hazard presented by the force action of this base.



Please pay attention to the assembly and operating instruction attached to the general guidance. Otherwise there is a serious risk of injury!



## CLEANING RECOMMENDATION

Cleaning recommendations for powder-coated surfaces

For optimal care and cleaning of powder-coated surfaces the following recommendations should be followed:

- Use only a soft cloth or industrial cotton wool. Refrain from rubbing hard.
- Surface and cleaning agent temperatures <25°C. (Do not steam clean surface.)
- Clean stainings with a little humid soft cloth. Just use clear water (cold or lukewarm). Small amounts of neutral or alkalescent detergent additives may be used if necessary.
- Do not apply detergent for extended periods of time. If necessary repeat cleaning process after 24 hours.
- Wipe with cold water immediately after cleaning. (Just use al lightly damp cloth, nether wet.)
- Do not use scratching or abrasive agents.
- Do not use acidic or strongly alkaline detergents.
- Do not use organic solvents which contain ester, ketone, alcohols, aromatic compounds, glycol ether, halogenated hydrocarbons or similar substances.

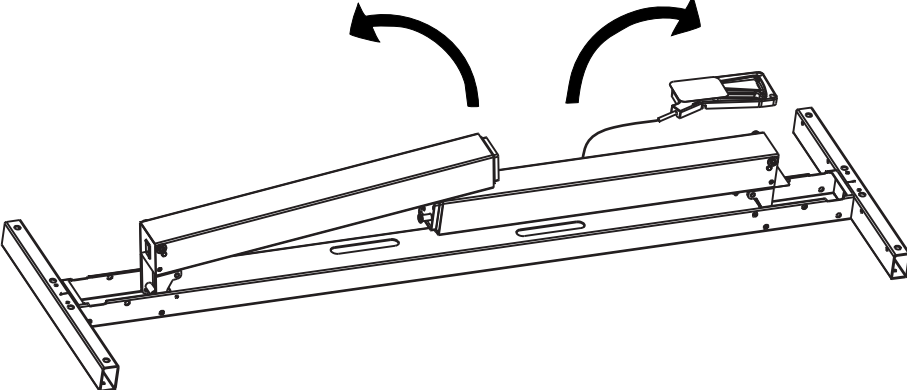


**Attention:**

*special dry guiding do not grease or clean with solvents. Never use any silicone products on the columns. Such things cause squeaking noises.*


*Lifting capacity: maximum weight 100kg incl. construction above the columns (top frame variable, table top etc.). Alteration of the system in any form is not permitted.*

**1**

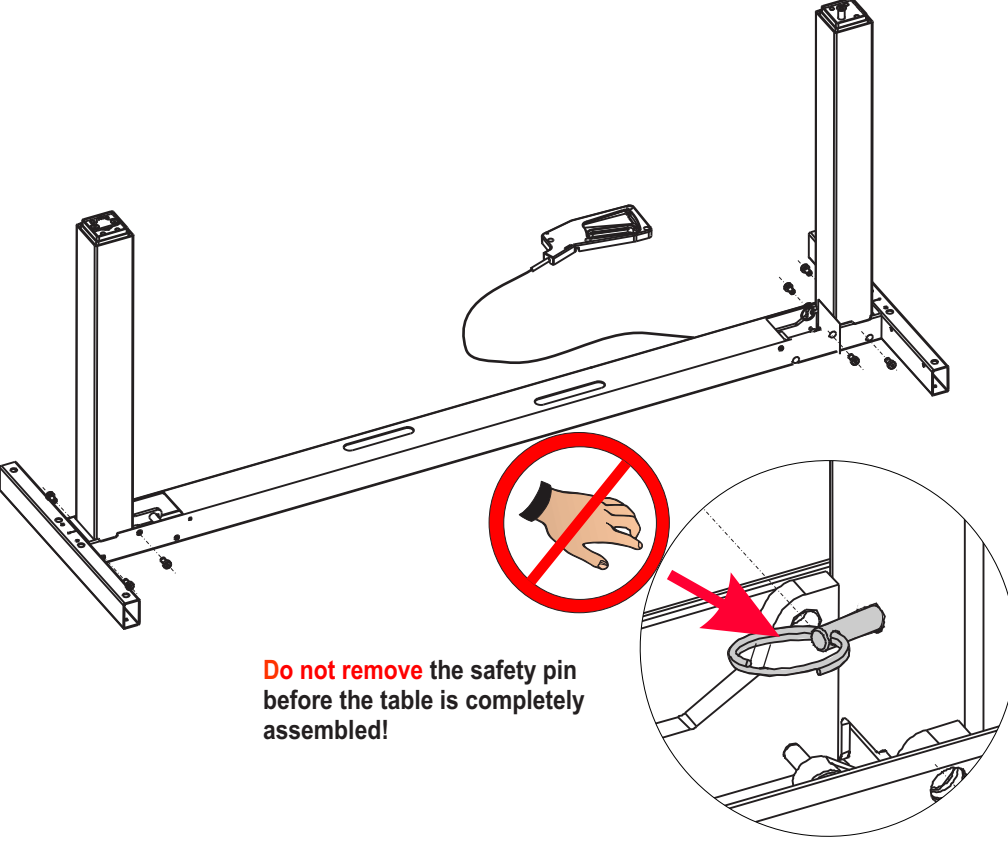


**Warning:** Never activate the manual release before the table is completely assembled and its placement is just according to normal use. Otherwise there is a enormous safety risk because to the almost unloaded columns when getting out.

Accessories

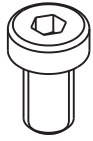


**2**




**Do not remove** the safety pin before the table is completely assembled!

M8x14

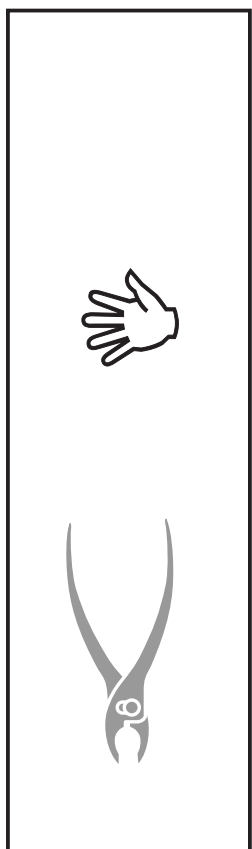
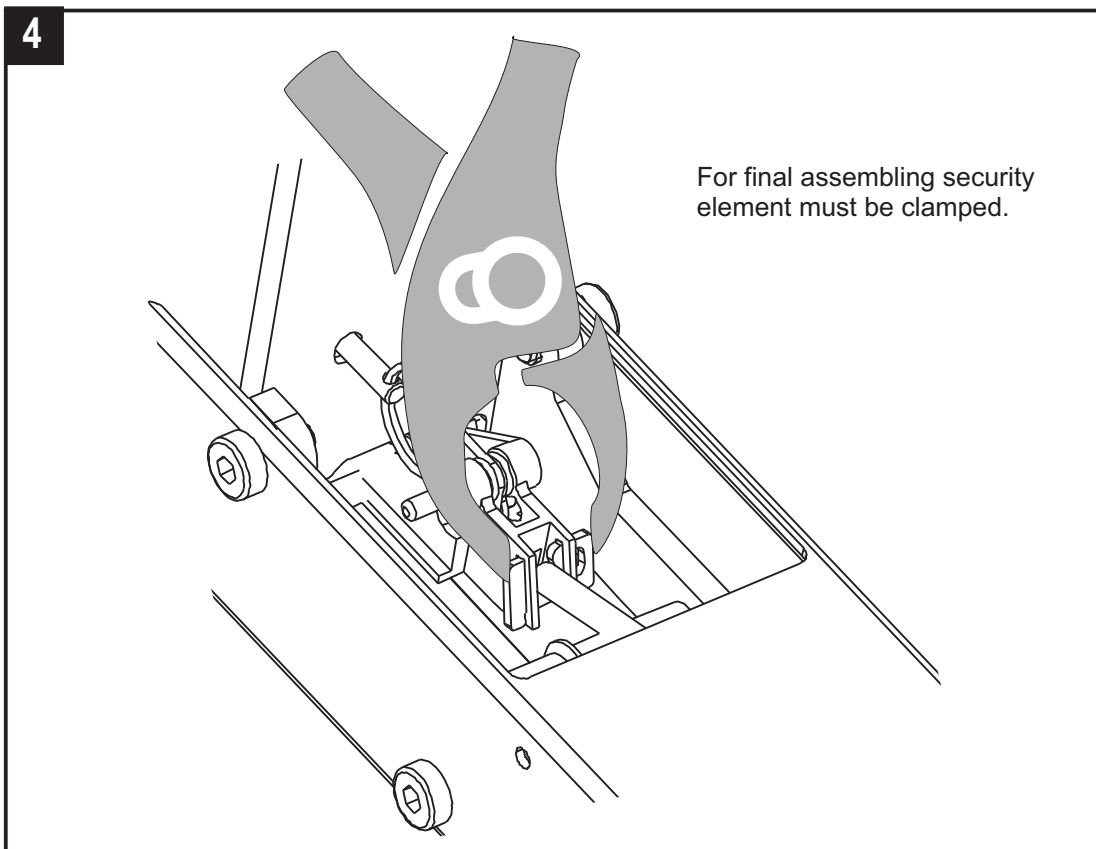
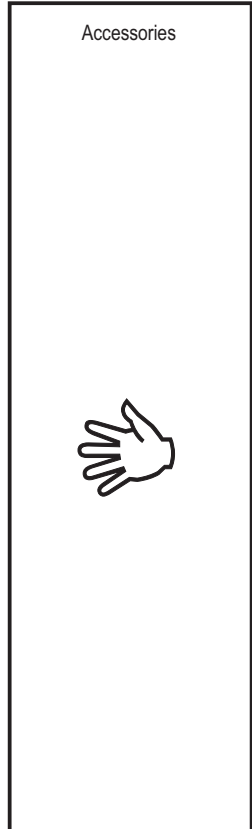
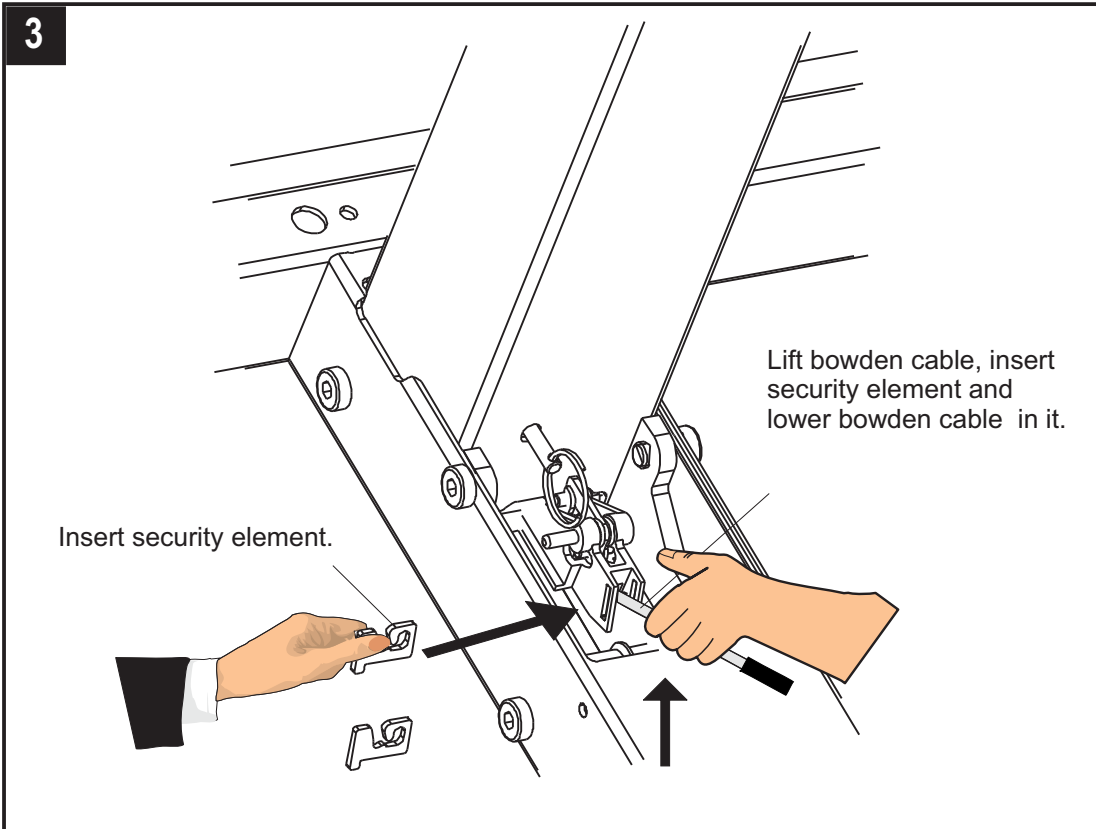


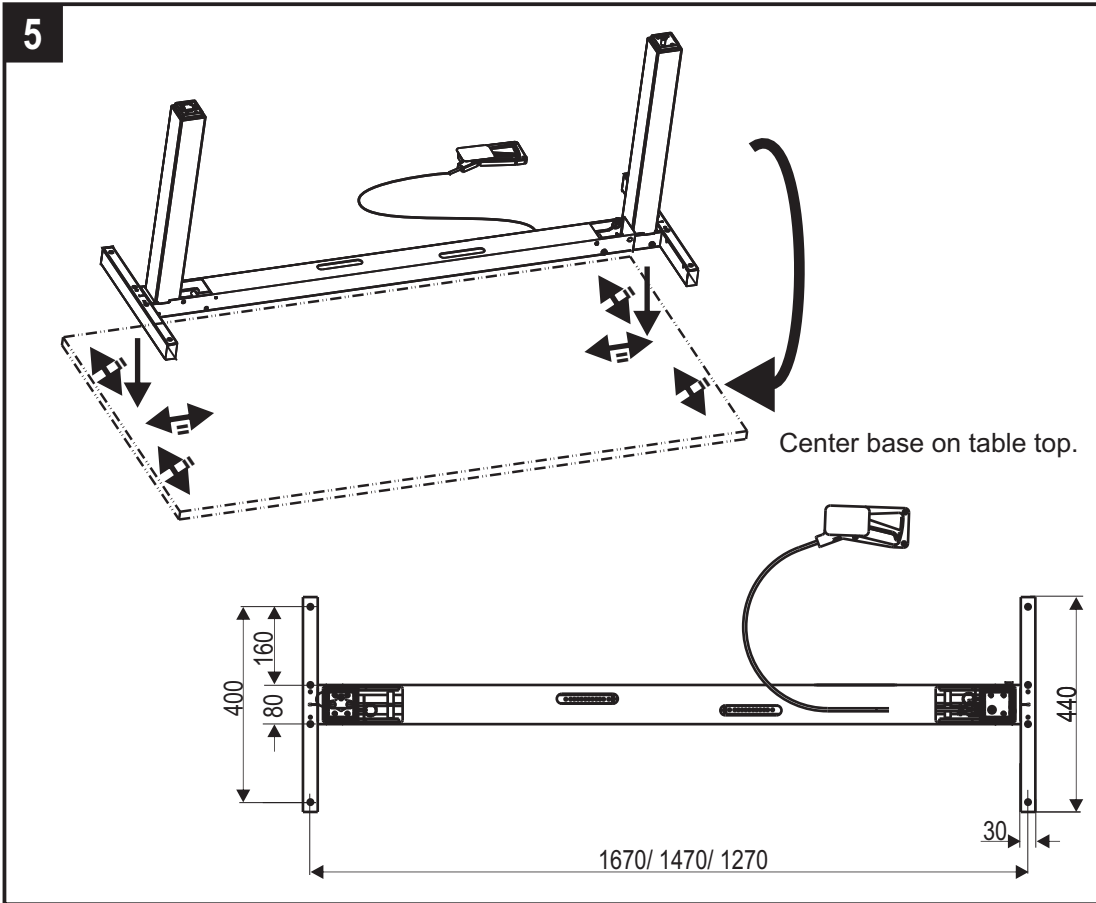
12x

SW 5

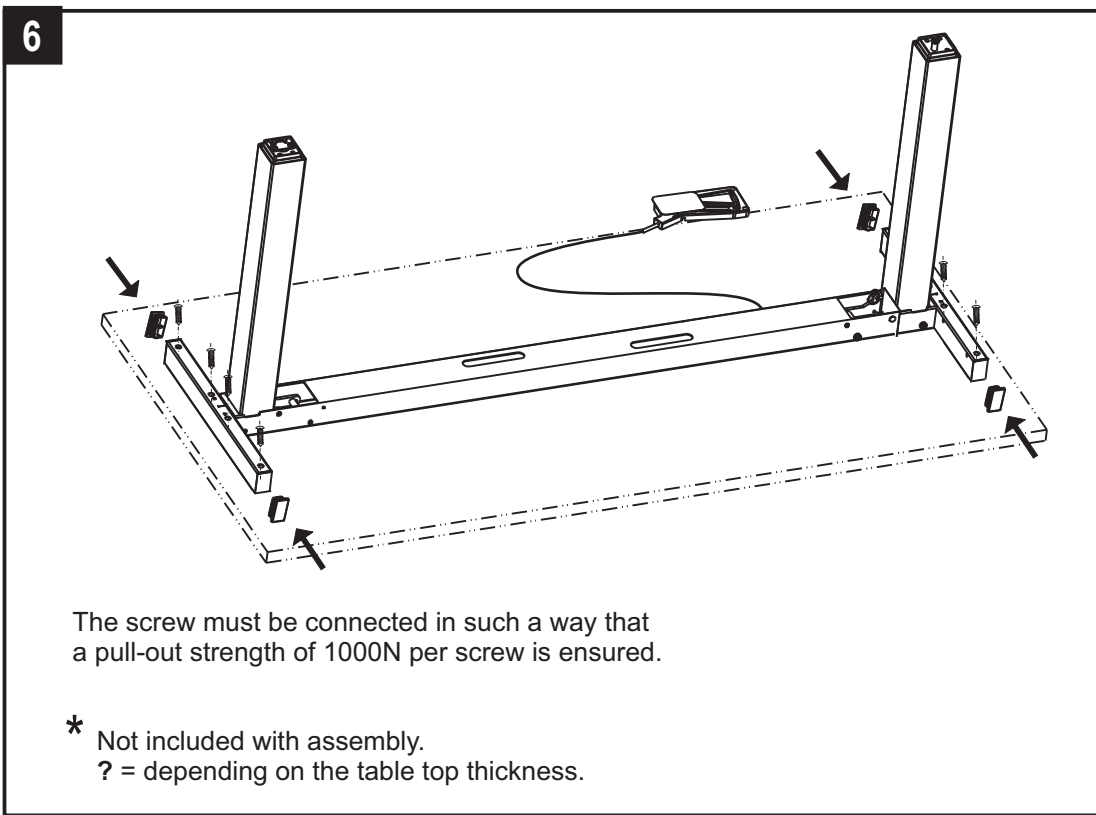


max. 10 Nm





Accessories

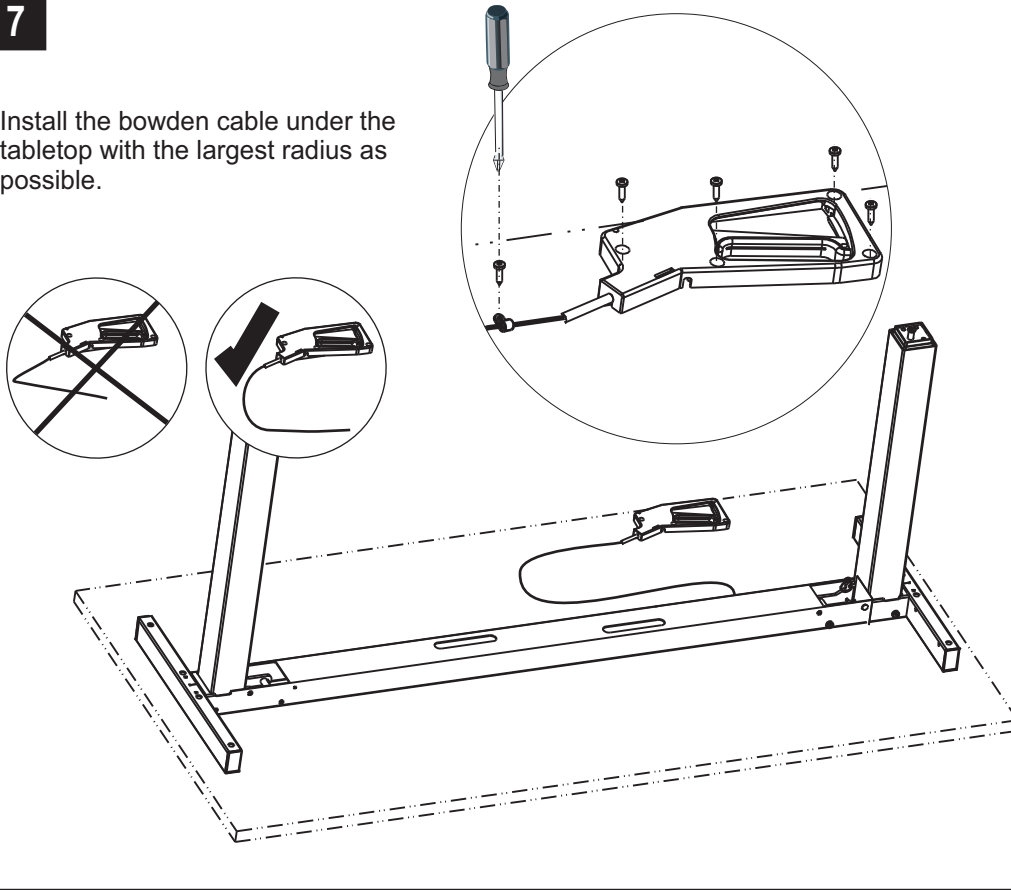


\* 5x20

8x

7

Install the bowden cable under the tabletop with the largest radius as possible.



Accessories



4x16

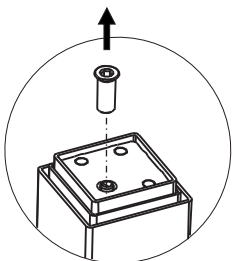


2x



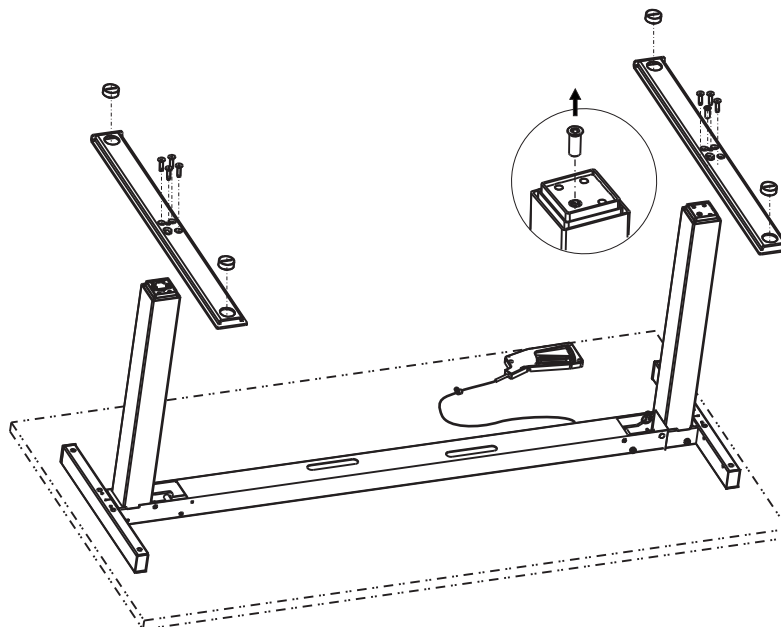
8.1

Remove the nut M8x10 and re-use when securing the cantilever foot.



8.2

Lift Desk



Accessories

M8x30



7x

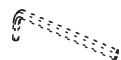


1x

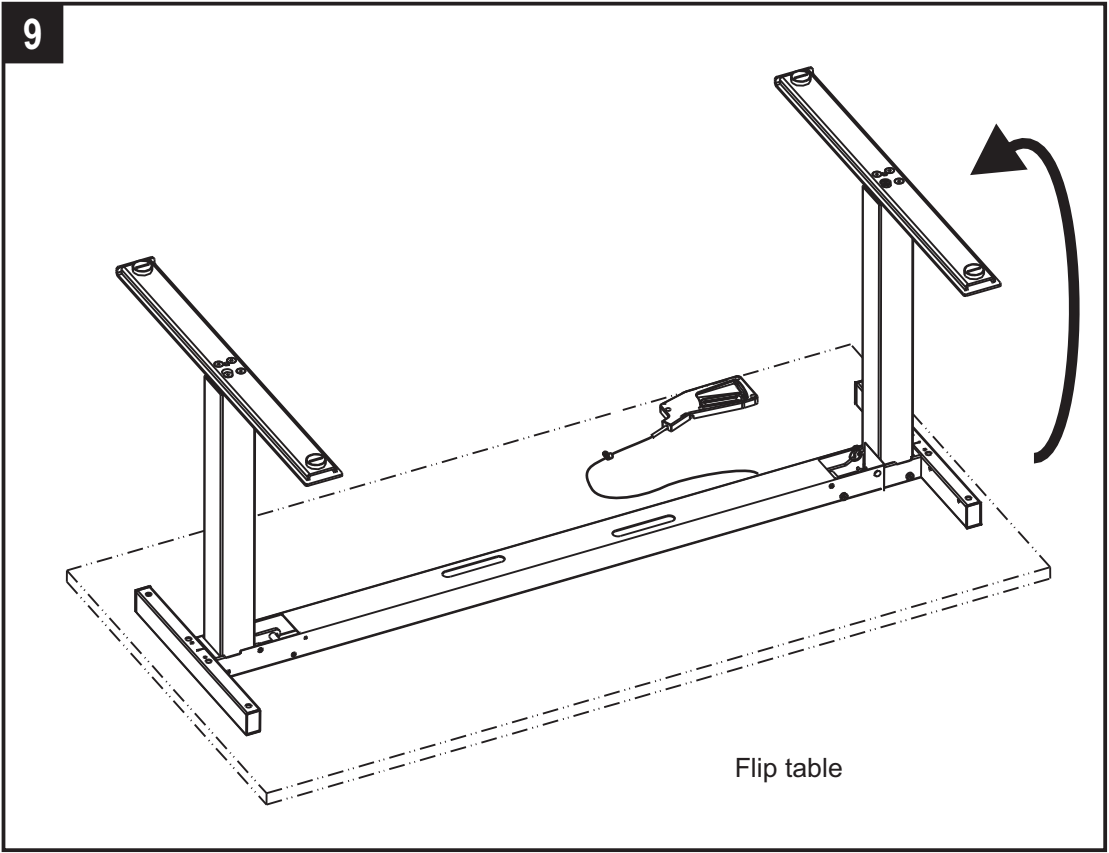


4x

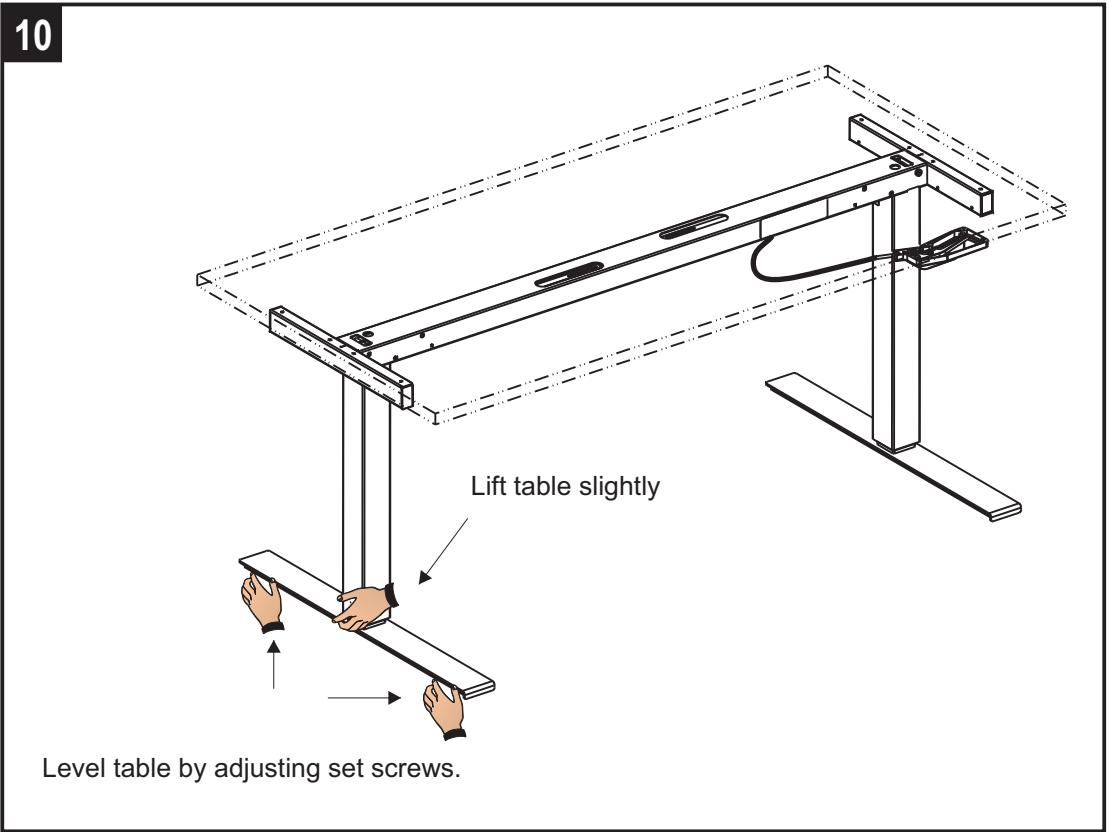
SW 5



max. 10 Nm

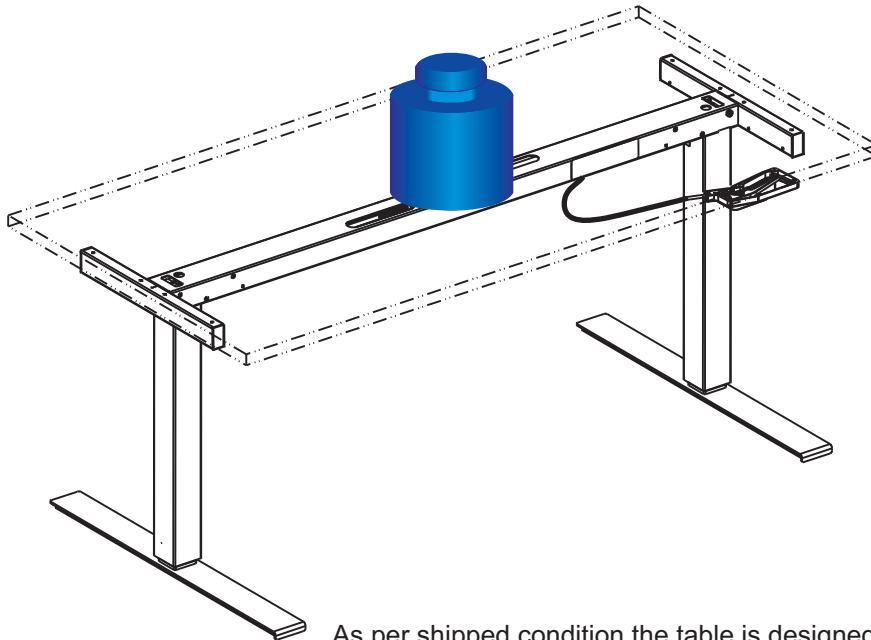


Accessories





11

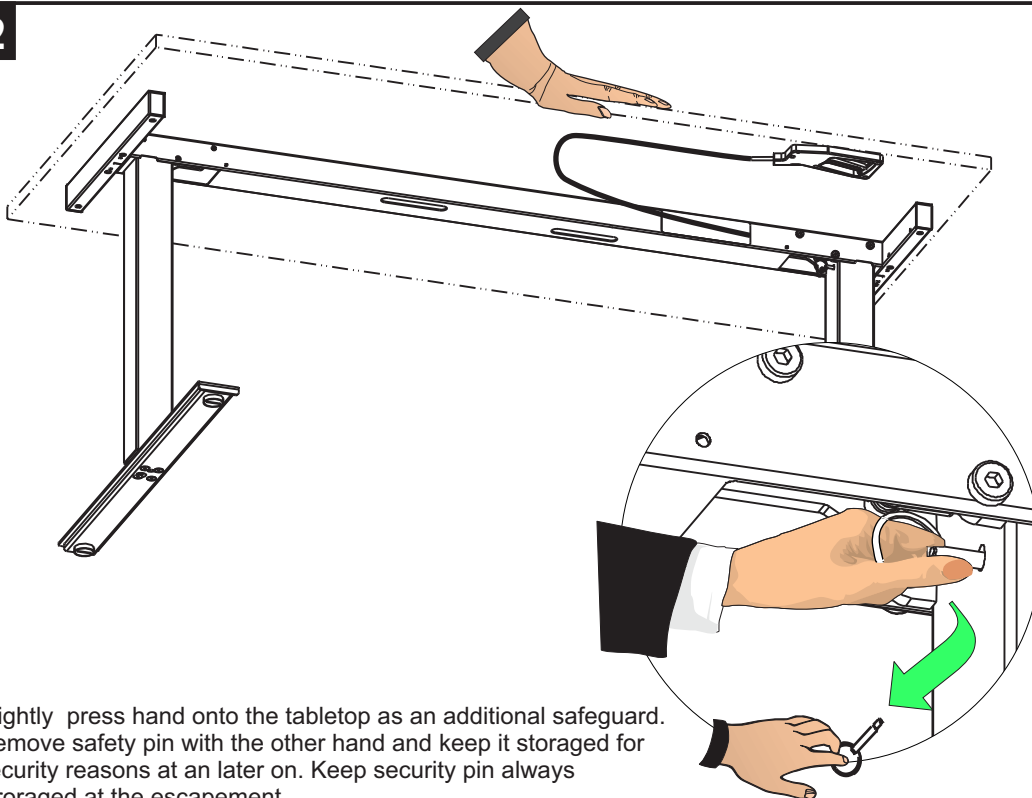


As per shipped condition the table is designed to carry a load capacity of  $10 \pm 5$  kg according to weight of order. If a higher load capacity is desired it may be compensated by a stroger overload spring. See Figure 15.

Accessories



12

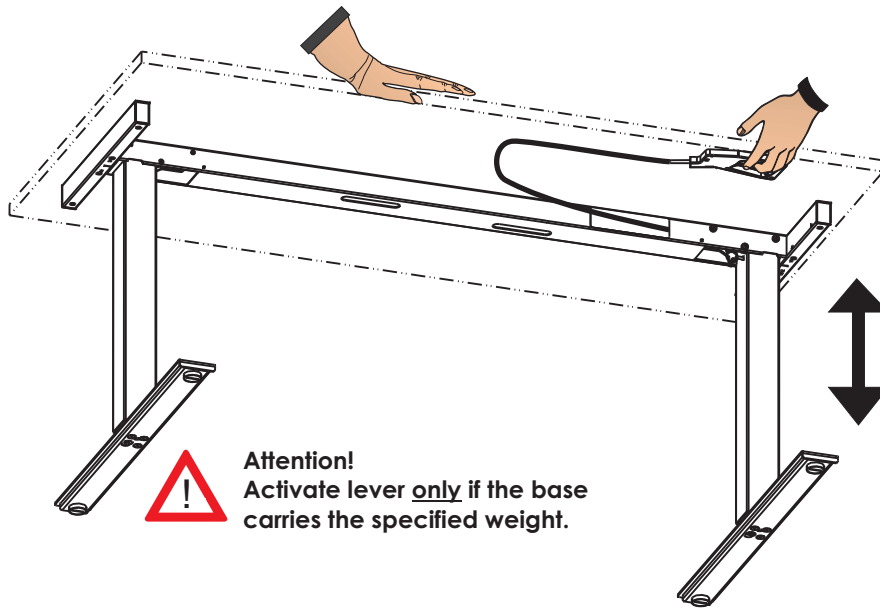


Slightly press hand onto the tabletop as an additional safeguard. Remove safety pin with the other hand and keep it stored for security reasons at an later on. Keep security pin always storaged at the escapement.



13

*Slightly press one hand onto the tabletop and activate lever with the other hand until the optimal position has been found.*



**Attention!**  
Activate lever only if the base carries the specified weight.

Zubehör  
Accessories

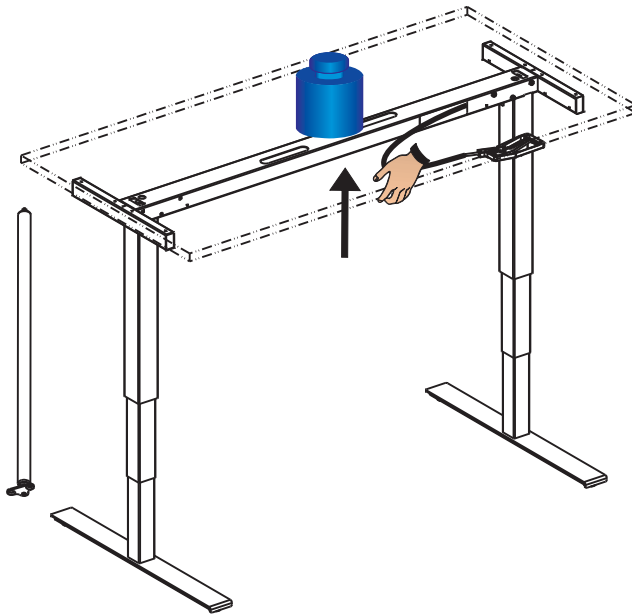


14

If the table carries more than 15 kg, it may sag down when the handrelease is triggered. The comfort zone ranges from 5 kg to **max. 15 kg**, the optimal load is 10 kg. If the load is too high supplementary spring can be changed. **For this purpose the table must be moved into top position.** The assembly has to be carried out by competent personnel only.

Please take notice of the information leaflet enclosed with the supplementary spring.

15



The user must be informed of minimum and maximum load capacity of the office worktable if stronger supplementary springs are retrofitted.

List of suitable supplementary springs

Comfort zone range      Comfort zone range

(Delivery status )

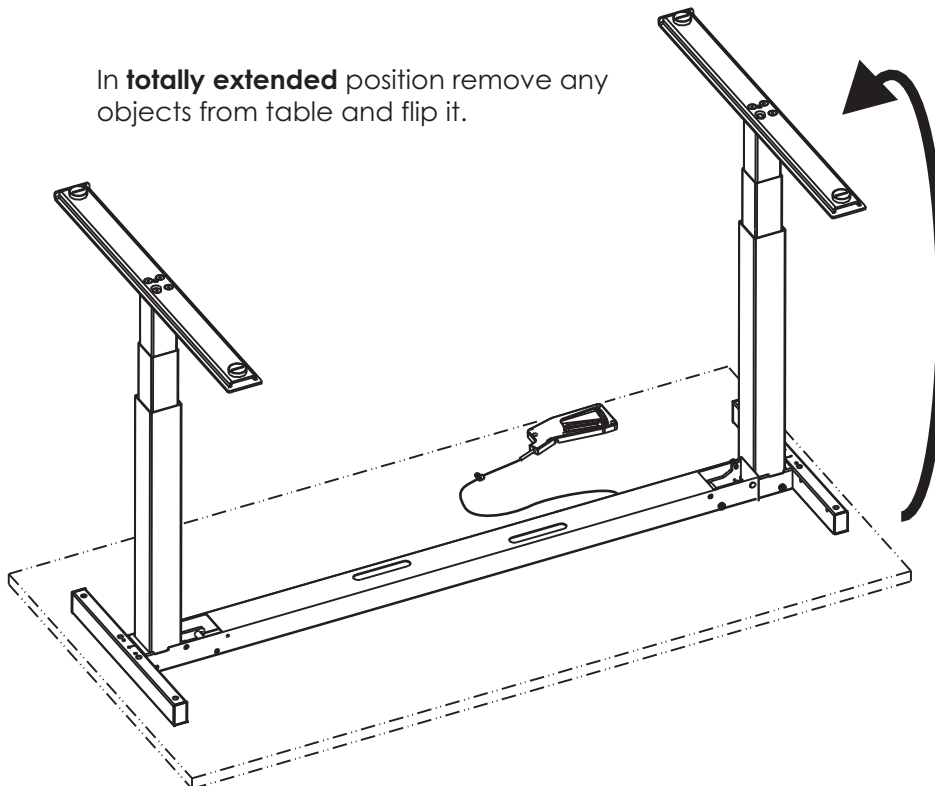
(Retrofit status)

		10± 5kg	20±5kg	30±5kg	
40±5kg					
LPNM/500	1400	200N	300N	400N	500N
LPNM/500	1600	200N	300N	400N	500N
LPNM/500	1800	250N	350N	450N	550N

16

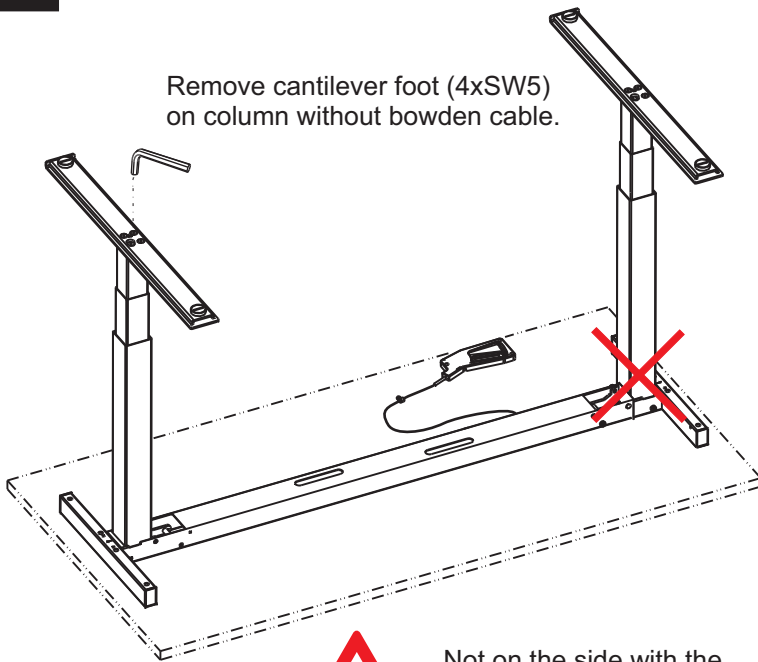
How to change the supplementary spring.

In **totally extended** position remove any objects from table and flip it.



17.1

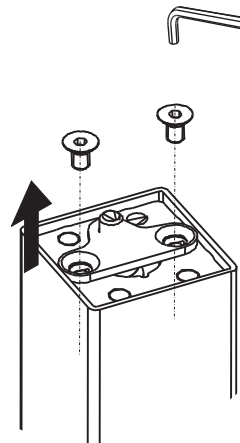
Remove cantilever foot (4xSW5)  
on column without bowden cable.



Not on the side with the  
hand release.

17.2

Remove 2 screws with  
SW 4 and remove.



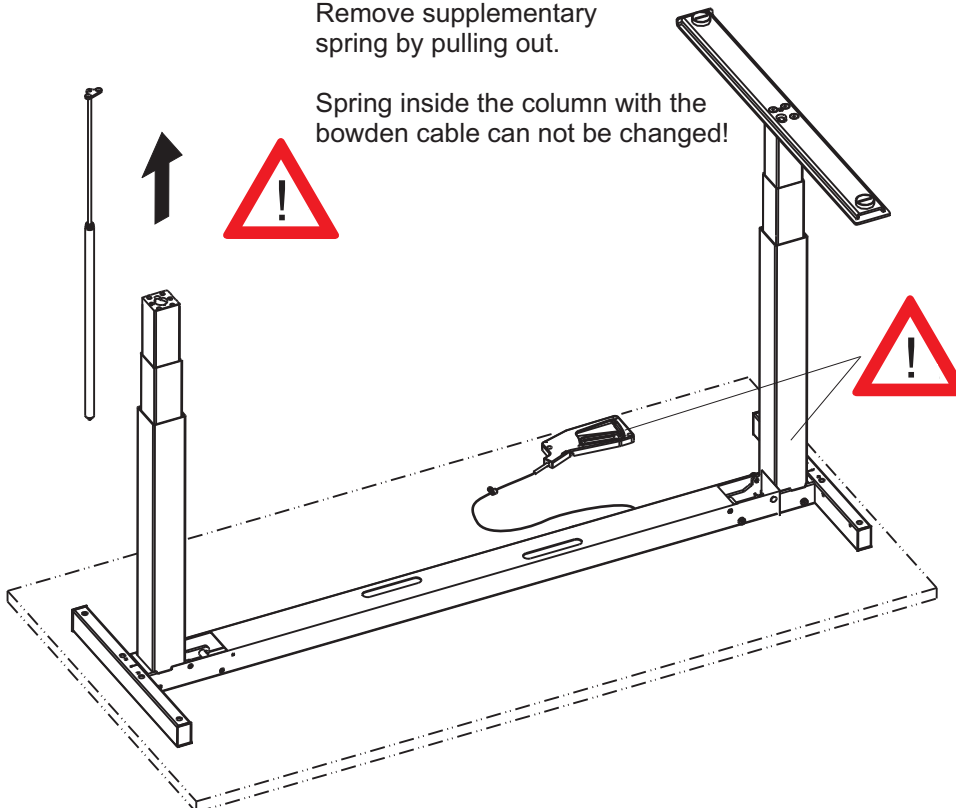
Accessories



18

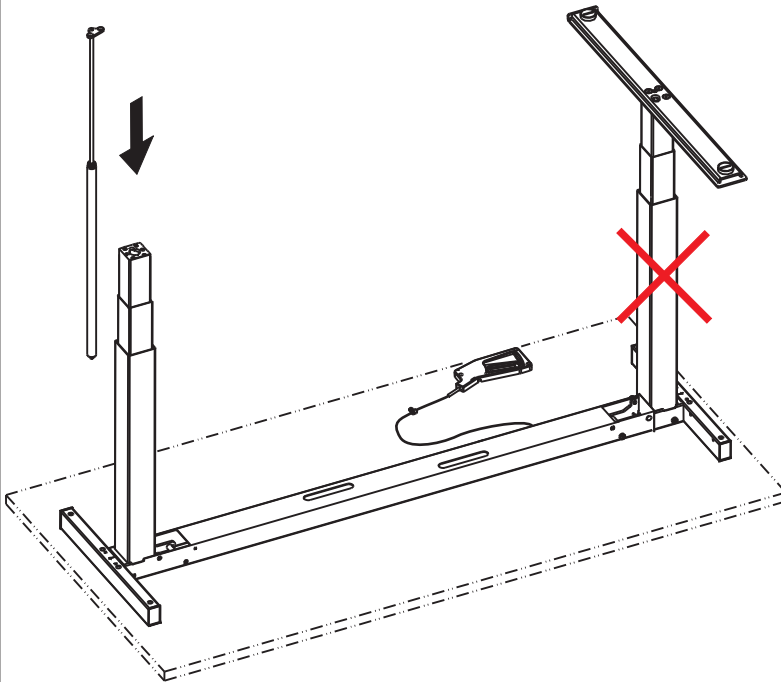
Remove supplementary  
spring by pulling out.

Spring inside the column with the  
bowden cable can not be changed!



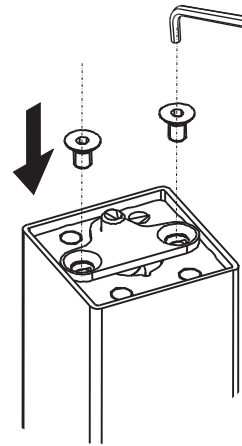
19.1

Install new supplementary spring.



19.2

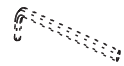
Tighten 2 screws with SW 4.



Accessories



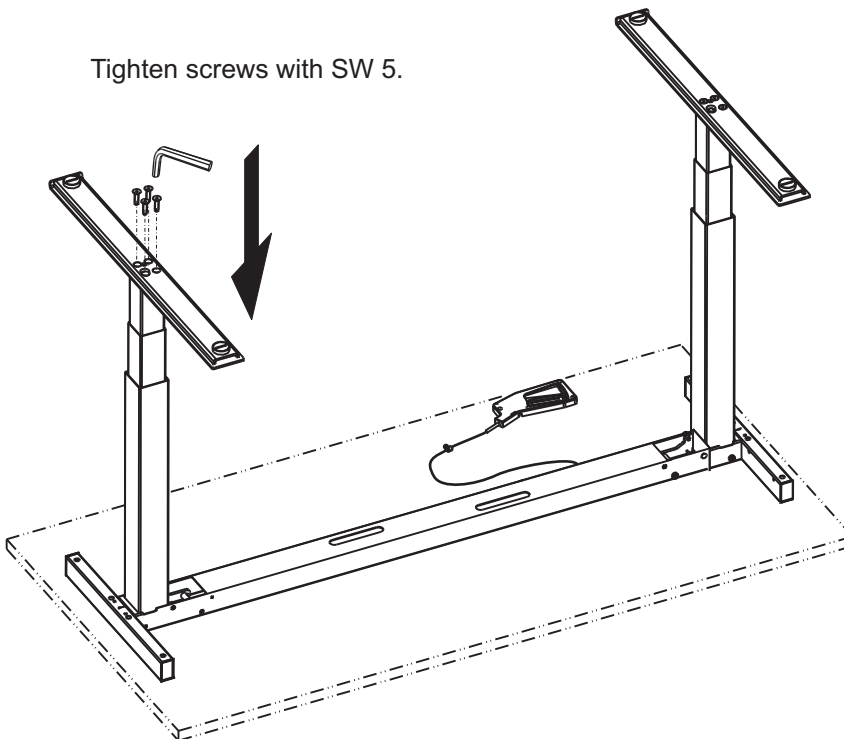
SW 5



max. 10 Nm

20

Tighten screws with SW 5.

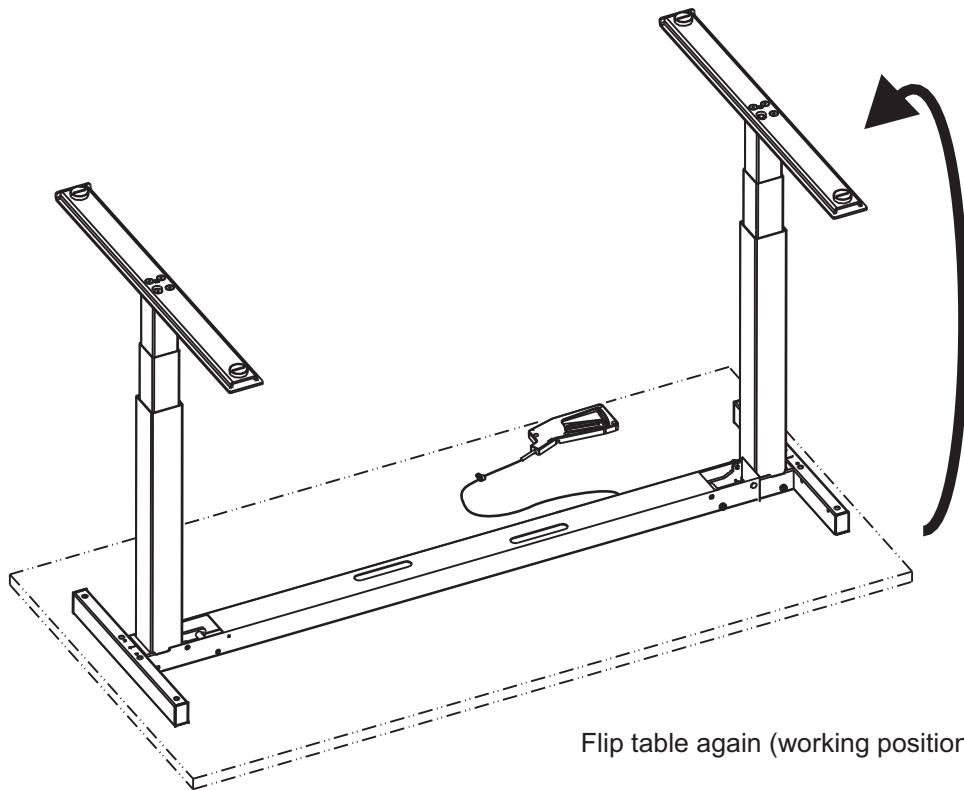


SW 5



max. 10 Nm

21



Flip table again (working position).

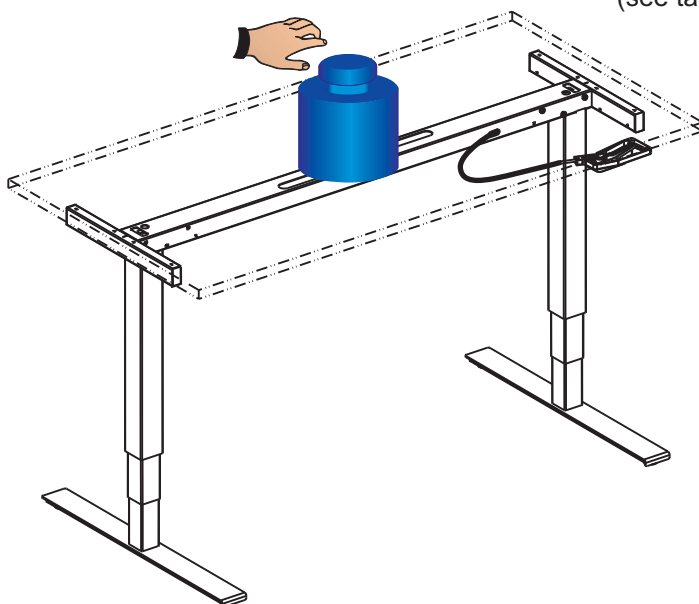
Accessories



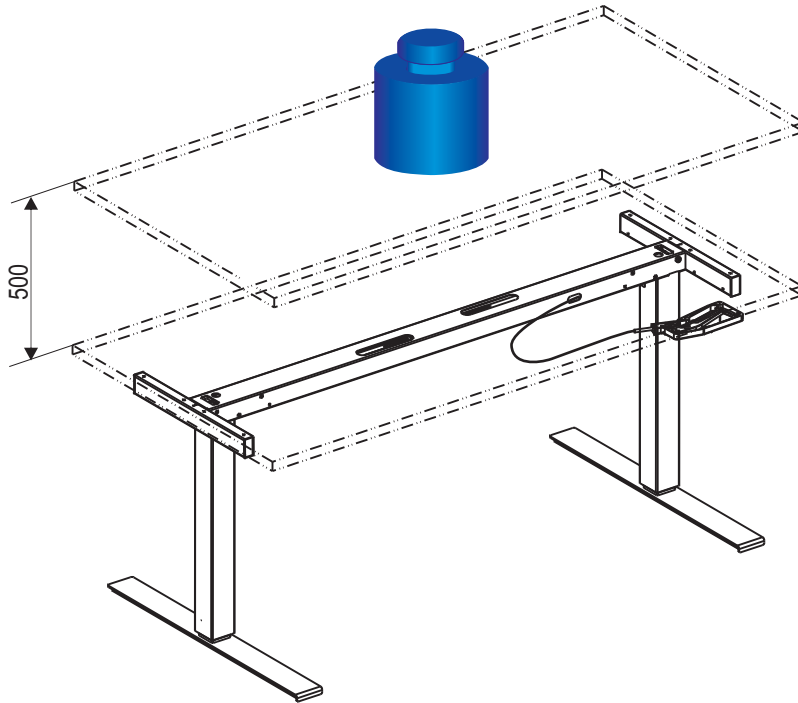
22



First place the “new” load (depending on supplementary spring) on table before manual release is activated, otherwise there is a risk of injury! (see table on page 12)



23



Accessories

***For inquiries please contact Special-T 1-888-705-0777.***