

Convertible Table Assembly Instructions

Parts Included:

1. Columns with casters (2)

2. Beam (1)

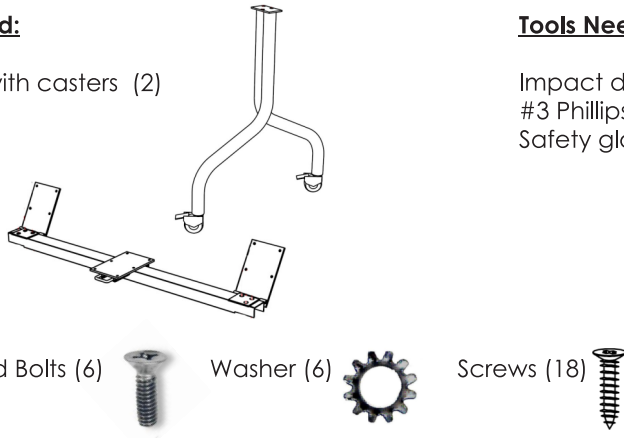
3. Hardware:

Flat Head Bolts (6)

Washer (6)

Screws (18)

4. Table top

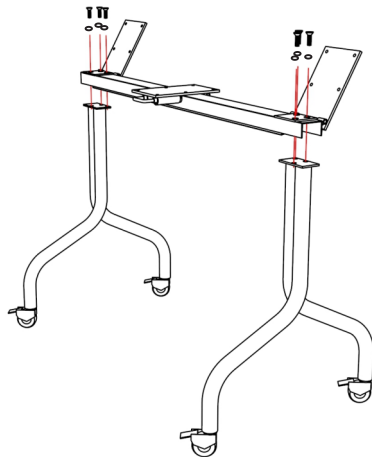


Tools Needed:

Impact drill
#3 Phillips bit
Safety glasses

If you are missing parts or have any questions, please call Customer Service at 888.705-0777.

Base Assembly



Instructions

Base Assembly:

Slide the legs into the slots on the ends of beam and attach to beam with flat head bolts and lock washers. Start bolts by hand to prevent cross threading. Tighten the bolts as much as possible with impact drill and #3 Phillips bit.

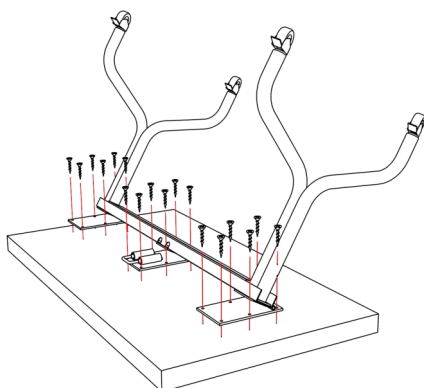
Table Assembly:

1. Lay table top upside down on cardboard or carpeted surface.
2. Position the base to align holes in hinges and lock with pre-drilled holes in the table top.
3. Use impact drill with #3 Phillips bit to install wood screws through the base in table top. **Fully tighten screws.**

Note: If you purchased optional modesty panel, attach it now.

4. Holding onto the edges of the top, carefully turn the table over in the upright position. Wipe of the top and the base with a soft clean cloth. Enjoy your table!

Table Assembly



START BOLTS BY HAND TO PREVENT CROSS THREADING