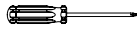


TOOLS



Impact Drill



#3 Phillips Screwdriver



#3 Phillips Bit



5mm Hex Key

PARTS & HARDWARE



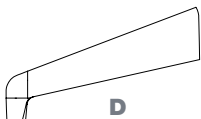
A
Tabletop
(1)



B
Mounting Plate
(1)



C
Steel Column
w/mounting pins
(1)



D
Aluminum Feet
(4)



F
M6 Phillips Flat Head Bolts
(4)



E
ZIA Glides
(4)

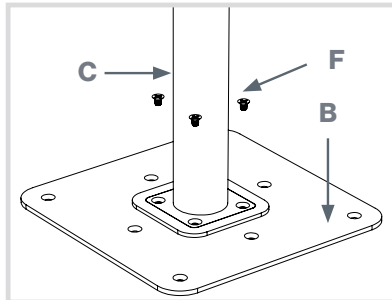


G
M8 Phillips Flat Head Bolts
(1)



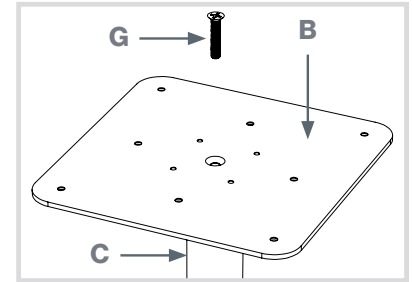
H
Wood Screws
(8)

ASSEMBLY STEPS

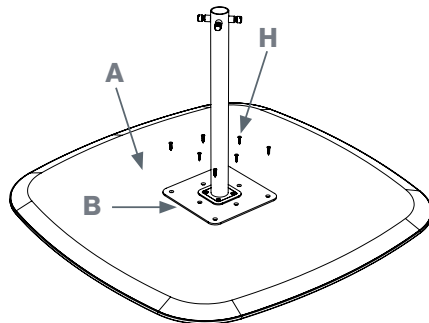


1. Lay the tabletop (**A**) upside down on a piece of cardboard or a carpeted surface.

2. Install (4) M6 flat head bolts (**F**) through steel column (**C**) into mounting plate (**B**).

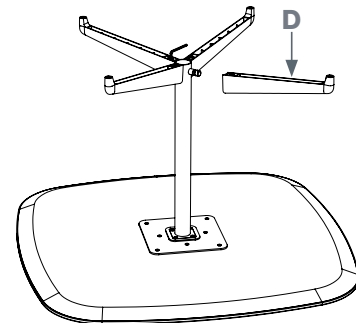


3. Install (1) M8 flat head bolt (**G**) through mounting plate (**B**) into steel column (**C**).



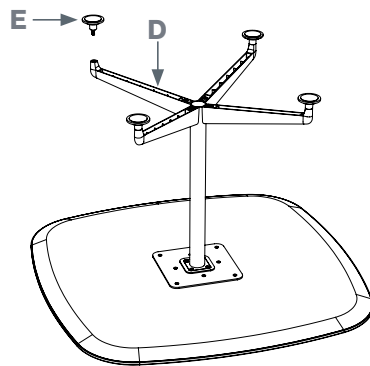
4. Attach mounting plate (**B**) onto the bottom of the table top (**A**) using (8) Phillips wood screws (**H**).

5. Ensure that all mounting pins are secure on the column. If necessary, use a 14mm wrench to tighten.



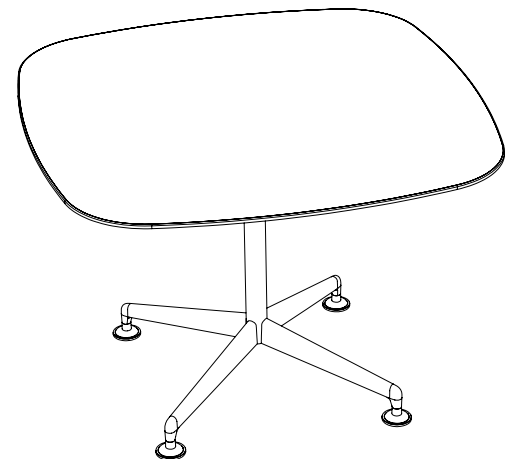
6. Place (4) aluminum feet (**D**) onto pins.

7. Tighten (4) aluminum (**D**) feet onto pins using the 5mm Hex Key. (*Mounting hardware comes pre-installed in foot.*)



8. Attach (4) glides (**E**) to (4) aluminum feet (**D**).

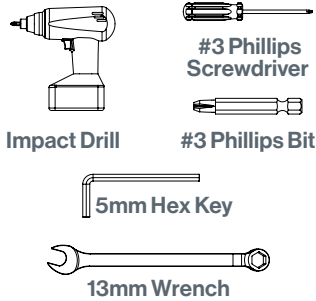
9. Ensure all feet are fully attached to the column and carefully flip the table upright.



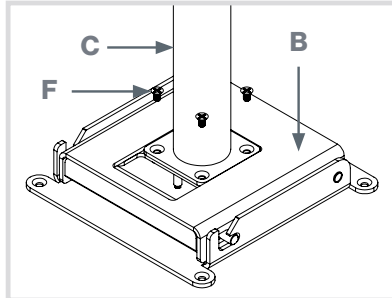
ZIA HOSPITALITY | SOFT-SQUARE TOP

FOR MISSING PARTS OR QUESTIONS, PLEASE CALL CUSTOMER SERVICE AT 888-705-0777.

TOOLS

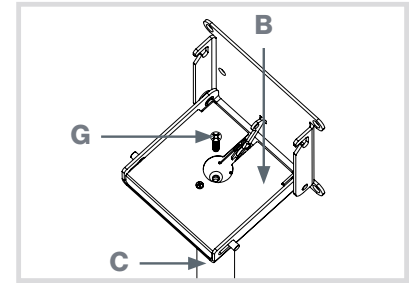


ASSEMBLY STEPS



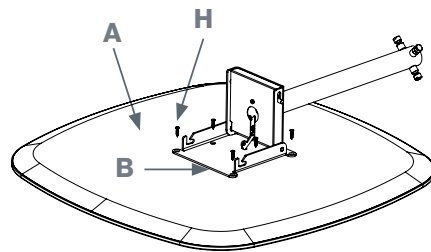
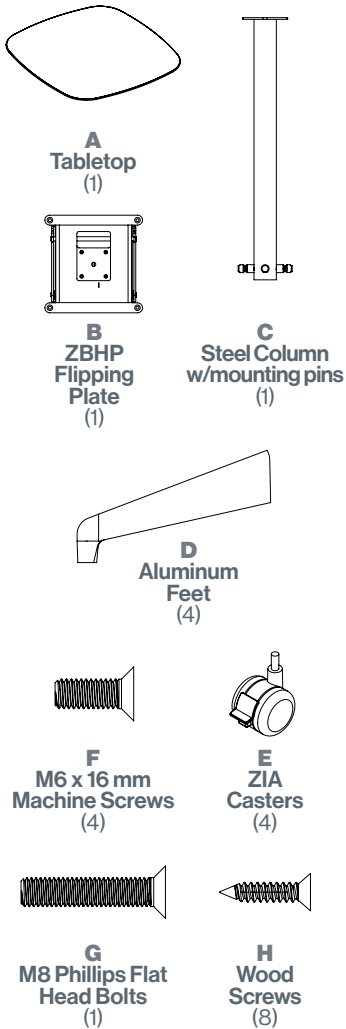
1. Lay the tabletop (**A**) upside down on a piece of cardboard or a carpeted surface.

2. Install (4) M6 flat head bolts (**F**) through steel column (**C**) into ZBHP mounting plate (**B**).



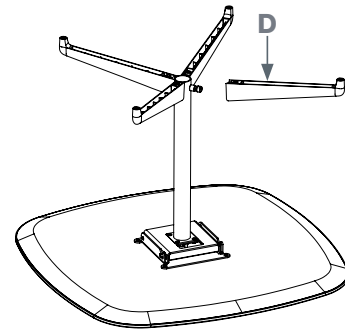
3. Unlatch and open the flipping plate and install (1) M8 flat head bolt (**G**) through mounting plate (**B**) into steel column (**C**).

PARTS & HARDWARE



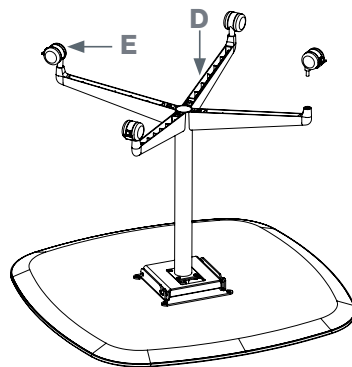
4. Attach mounting plate (**B**) onto the bottom of the table top (**A**) using (8) Phillips wood screws (**H**).

5. Ensure that all mounting pins are secure on the column. If necessary, use a 14mm wrench to tighten.



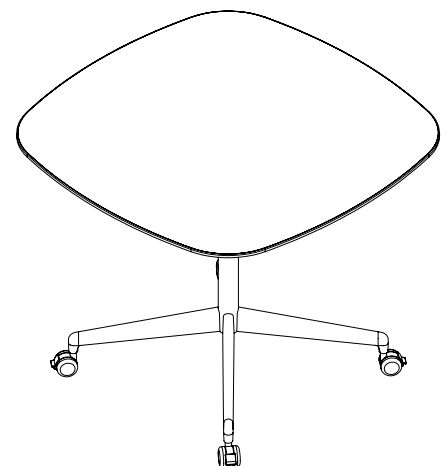
6. Place (4) aluminum feet (**D**) onto pins.

7. Tighten (4) aluminum (**D**) feet onto pins using the 5mm hex key. (*Mounting hardware comes pre-installed in foot.*)



8. Attach (4) casters (**E**) to (4) aluminum feet (**D**) using a 13 mm wrench.

9. Ensure all feet are fully attached to the column and carefully flip the table upright.



ZIA FLIP HOSPITALITY | SOFT-SQUARE TOP

FOR MISSING PARTS OR QUESTIONS, PLEASE CALL CUSTOMER SERVICE AT 888-705-0777.