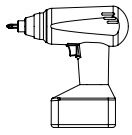


TOOLS



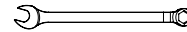
Impact Drill



#3 Phillips Bit



5mm Hex Key

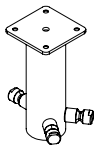


14mm Wrench

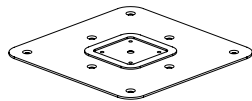


#3 Phillips Screwdriver

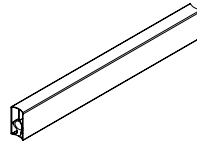
PARTS & HARDWARE LIST



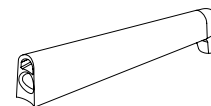
A
Steel Column with
Mounting Pins
(2)



B
Mounting Plate
(2)



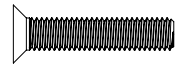
C
Aluminum Runner
(1)



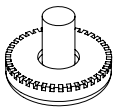
D
Aluminum Feet
(4)



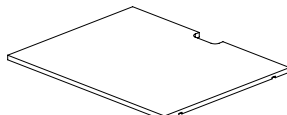
H
M6 Phillips
Flat Head Screw
(8)



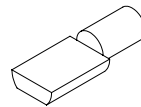
I
M8 Phillips
Flat Head Screw
(2)



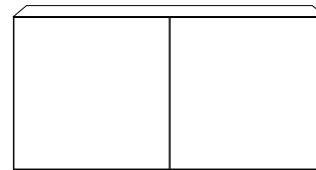
E
Glides
(4)



F
Shelf



G
5 mm Shelf Pin



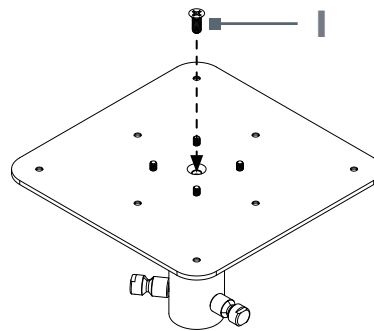
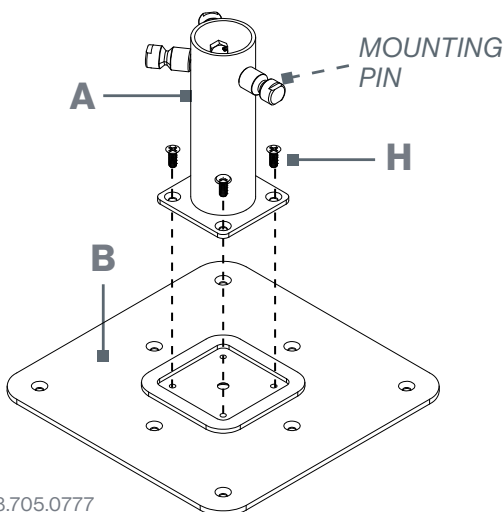
ZIA Credenza



J
1/4-20 Phillips
Flat Head Screw
(8)

ASSEMBLY STEPS

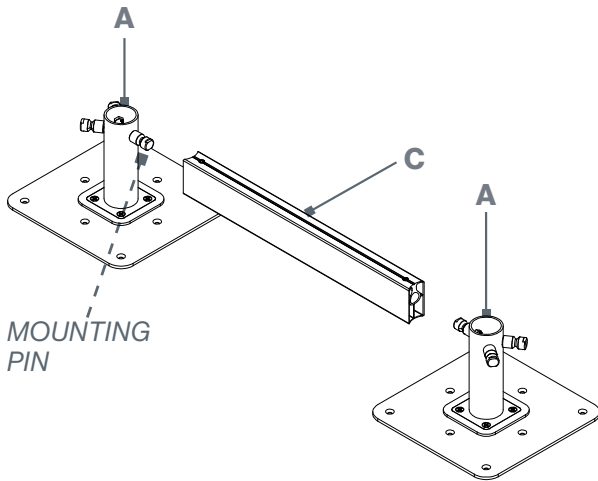
1. Install (4) M6 Flat Head Screws (**H**) through Steel Column (**A**) into Mounting Plate (**B**). Repeat on the 2nd Column.



2. Install (1) M8 Flat Head Screw (**I**) through Mounting Plate (**B**) into Steel Column (**A**). Repeat on the 2nd Column.

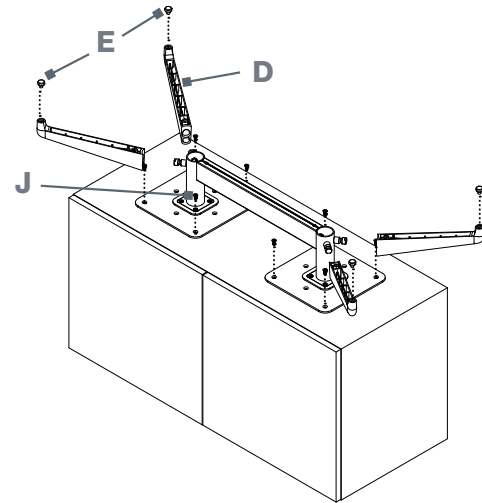
3. Ensure that all Mounting Pins are secure on Steel Columns (**A**). If necessary, use a 14mm wrench to tighten them.

FOR MISSING PARTS OR QUESTIONS,
PLEASE CALL CUSTOMER SERVICE AT 888-705-0777.



4. Place the Aluminum Runner (**C**) onto the Mounting Pin on each Steel Column (**A**). (Ensure the column orientation matches the diagram)

5. Tighten the Aluminum Runner (**C**) onto Mounting Pins using a 5mm Hex Key.

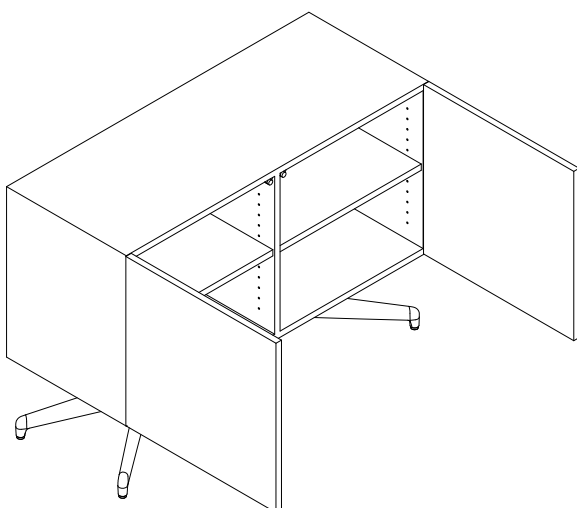


6. Attach the entire base assembly onto the bottom of the credenza using (8) ¼-20 Phillips Flat Head Screws (**J**).

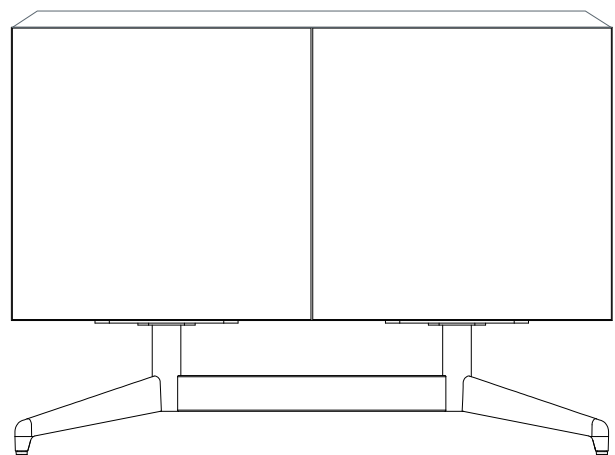
7. Place (4) Aluminum Feet (**D**) onto Pins.

8. Tighten (4) Aluminum Feet (**D**) onto Pins using a 5mm Hex Key.

9. Attach (4) Glides (**E**) to (4) Aluminum Feet (**D**).



10. Open the Credenza doors and place the 5mm pins to the desired height, then insert the shelves.



ASSEMBLED ZIA CREDENZA