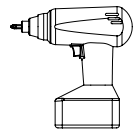


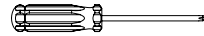
TOOLS



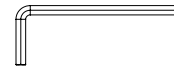
Impact Drill



#3 Phillips Bit

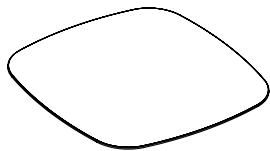


#3 Phillips Screwdriver

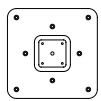


5mm Hex Key

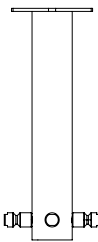
PARTS & HARDWARE LIST



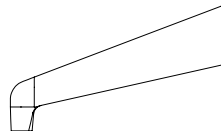
A
 Tabletop
 (1)



B
 Mounting
 Plate
 (1)



C
 Steel Column
 with mounting pins
 (1)



D
 Aluminum
 Feet
 (4)



E
 ZIA
 Glides
 (4)



F
 M6 Phillips
 Flat Head
 Bolts
 (4)

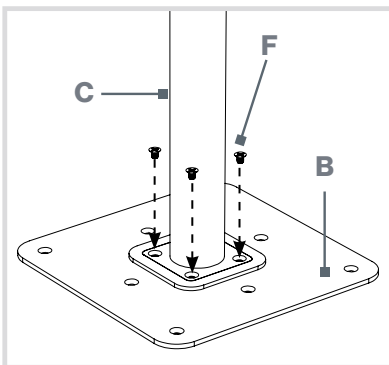


G
 M8 Phillips Flat
 Head Bolts
 (1)



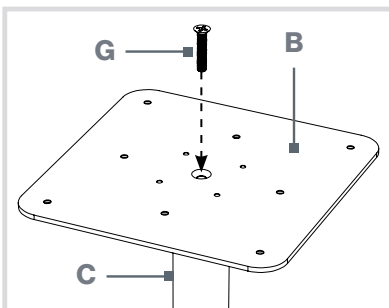
H
 Wood
 Screws
 (8)

ASSEMBLY STEPS

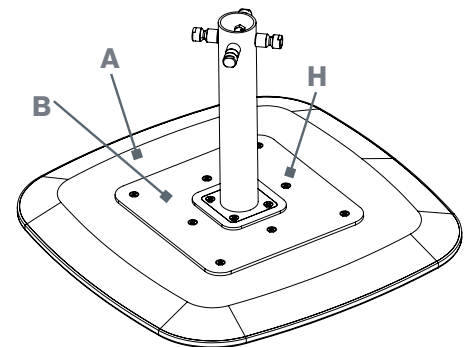


1. Lay the tabletop **(A)** upside down on a piece of cardboard or a carpeted surface.

2. Install (4) M6 flat head bolts **(F)** through steel column **(C)** into mounting plate **(B)**.



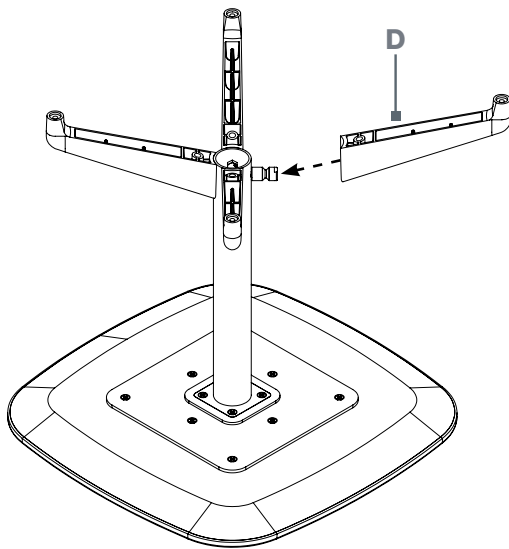
3. Install (1) M8 flat head bolt **(G)** through mounting plate **(B)** into steel column **(C)**.



4. Attach mounting plate **(B)** onto the bottom of the table top **(A)** using (8) Phillips wood screws **(H)**.

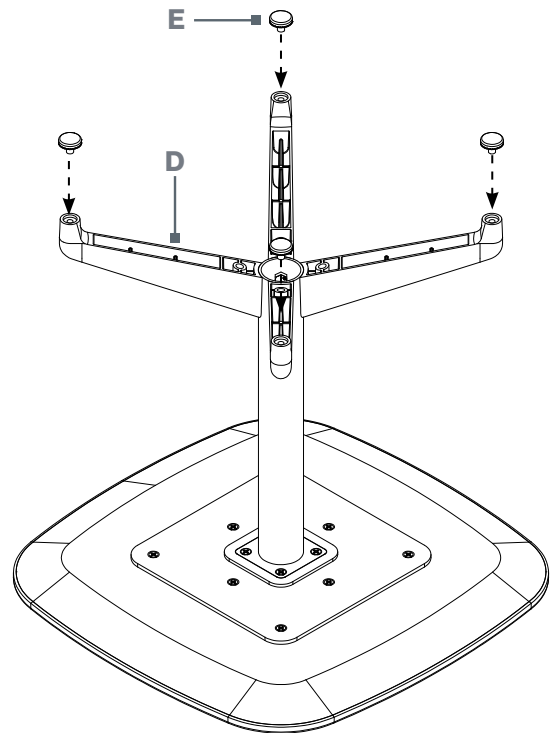
5. Ensure that all mounting pins are secure on the column. If necessary, use a 14mm wrench to tighten.

FOR MISSING PARTS OR QUESTIONS, PLEASE CALL CUSTOMER SERVICE AT 888-705-0777.



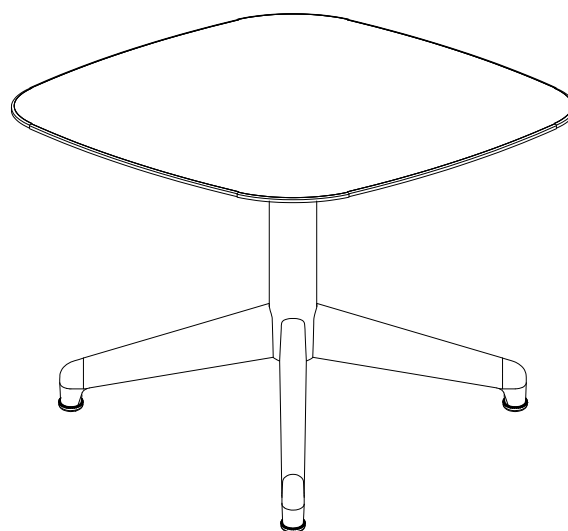
6. Place (4) aluminum feet (**D**) onto pins.

7. Tighten (4) aluminum (**D**) feet onto pins using the 5mm Hex Key. (*Mounting hardware comes pre-installed in foot.*)



8. Attach (4) glides (**E**) to (4) aluminum feet (**D**).

9. Ensure all feet are fully attached to the column and carefully flip the table upright.



ZIA OCCASIONAL | SOFT-SQUARE TOP