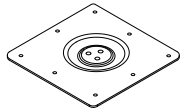


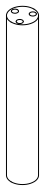
3 Column Round Stainless Steel Base Assembly Instructions

Parts Included:

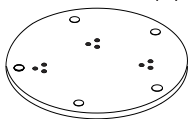
1. Top Plate (3)



2. Column (3)



3. Floor Plate (1)



4. Hardware:

Hex Head Bolts (9)



Flat Head Bolts (9)



Washer (9)



Hex Wrench (1)



Hex Key (1)



5. Casters (optional)

6. Folding mechanisms (optional)

7. Flip top mechanisms (optional)

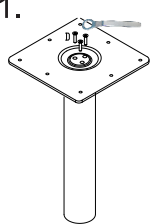
8. Table top (optional)

9. Table support (optional)

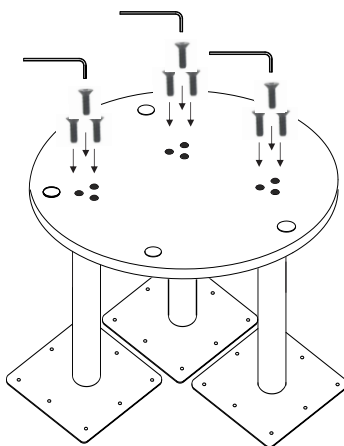
If you are missing parts or have any questions, please call Customer Service at 888-705-0777.

Base Assembly

1.



2.



ATTENTION: Due to sensitive nature of the stainless steel, use extreme care when assembling a base to avoid accidental dents and scratches.

Instructions

This base is VERY HEAVY. You will need 2-3 people to assemble it.

Base Assembly

1. Place mounting plate on one end of column. Insert lock washers inside the hex bolts. Start 3 hex head bolts with lock washers inside by hand first, then tighten with a hex wrench. Repeat the process with remaining 2 columns.
2. Turn all columns over and place mounting plates on the floor. Carefully hold the floor plate over the columns, and gently align them with the holes in the floor plate. Use the remaining flat head bolts to secure columns. Tighten the bolts with the hex key.

Table Assembly

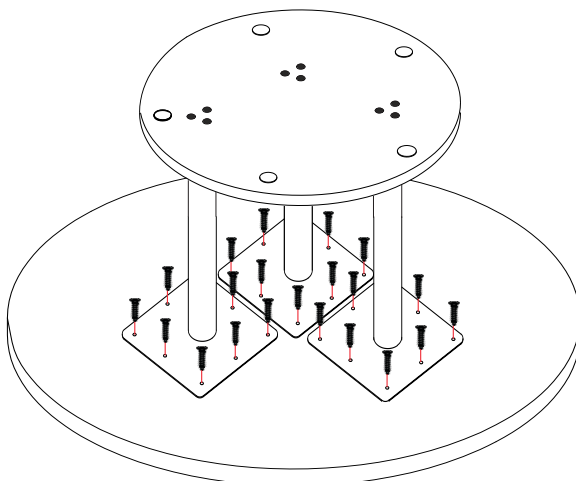


Table Assembly

1. Lay table top upside down on cardboard or carpeted surface.
2. Position assembled base in the center of the table top, or align holes in mounting plate with pre-drilled holes in the top. Use wood screws to attach the top. Use every hole in the mounting plates.
3. Holding onto the edges of the top, carefully turn the table over in the upright position.
4. Use stainless steel cleaner and soft cloth to remove finger prints or stains from the base. Enjoy your table!