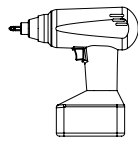


TOOLS



Impact Drill



#3 Phillips Bit

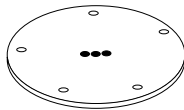


5mm Hex Bit



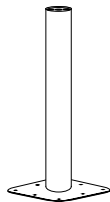
Safety Glasses

PARTS & HARDWARE LIST



A
Floor Plate

(1)

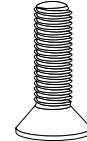


B
Column

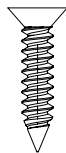
(1)



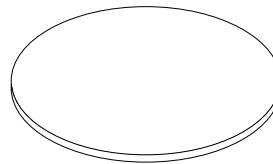
C
Leveling Glides
 Round Base (5)
 Square Base (4)



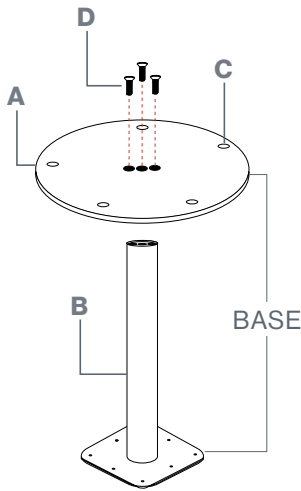
D
**Flat Head
 Machine Bolts**
 (3)



E
Wood Screws



F
Tabletop
 (1)



START BOLTS BY HAND TO PREVENT CROSS THREADING

BASE ASSEMBLY

1. Position column with the mounting plate on the floor. Place floor plate on bottom of the column and hand thread (3) Flat Head Machine Bolts through the floor plate into the column.
2. Tighten (3) Flat Head Machine Bolts.

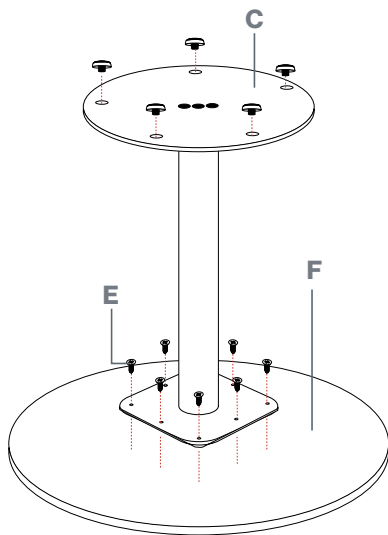
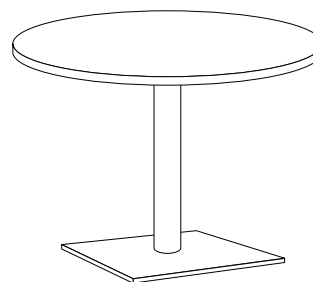
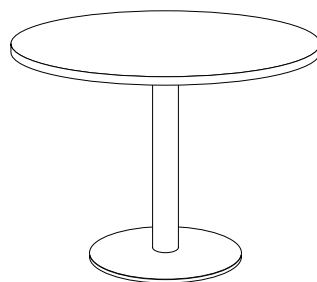


TABLE ASSEMBLY

1. Lay the tabletop upside down on a piece of cardboard or a carpeted surface.
2. Position column on the top and align the holes in the mounting plate with the pre-drilled holes in the table top. Use wood screws to attach the top. Use every hole in the mounting plate.
3. Install all leveling glides onto Sienna plate.
4. Holding onto the edges of the top carefully turn the table over into the upright position.



ASSEMBLED SIENNA HOSPITALITY TABLE | ROUND OR SQUARE BASE

