

## 4XL Base (Bedford Table) Assembly Instructions

### Parts Included:

1. Columns (4)

2. Feet (4)

3. Hub (1)

4. Hardware:

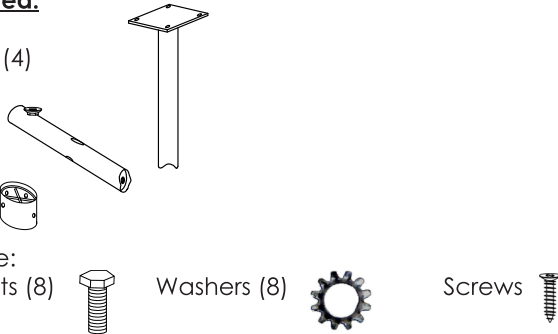
bolts (8)

Washers (8)

Screws

5. Table top (optional)

6. Casters (optional)



### Tools Needed:

13mm ratchet wrench or impact drill

3/8" hex bit

13mm socket

13mm wrench (for optional casters)

#3 Phillips bit

Safety glasses

**If you are missing parts or have any questions, please call Customer Service at 888.705-0777.**

### Instructions

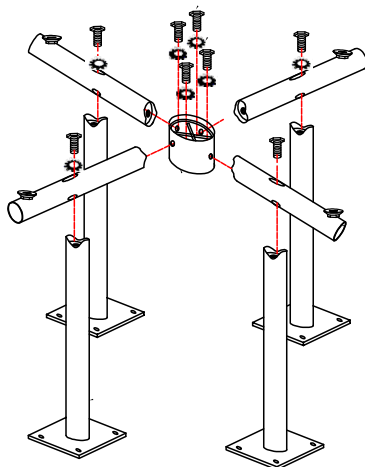
#### Base Assembly

- To assemble the base, attach 4 feet to the round hub by inserting 4 bolts and lock washers from the inside of a hub into the feet. Hand tighten the bolts.
- Using 13 mm ratchet wrench, tighten bolts securely.
- Set 4 columns on the floor with columns pointing up. Place foot assembly over the columns lining up the holes in the foot with the holes inside the columns. Insert 4 bolts and lock washers through the feet into the columns. Hand tighten the bolts.
- Use 13mm ratchet wrench or impact drill to tighten the bolts.

**NOTE:** if using optional casters, remove leveling glides from the threaded inserts on bottom of the legs. Thread four caster instead. Use 13mm wrench to tighten the casters

#### Table Assembly

- Lay table top upside down on cardboard or carpeted surface.
- Position the base on the top and align holes in mounting plates with pre-drilled holes in the top. Use wood screws to attach the top. Use every hole in the mounting plate.
- Holding onto the edges of the top, carefully turn the table over in the upright position.
- Level your table by rotating the leveling glides. Enjoy your table!



**START BOLTS BY HAND TO PREVENT CROSS THREADING**

