

Assembly Instructions



LINK Stationary

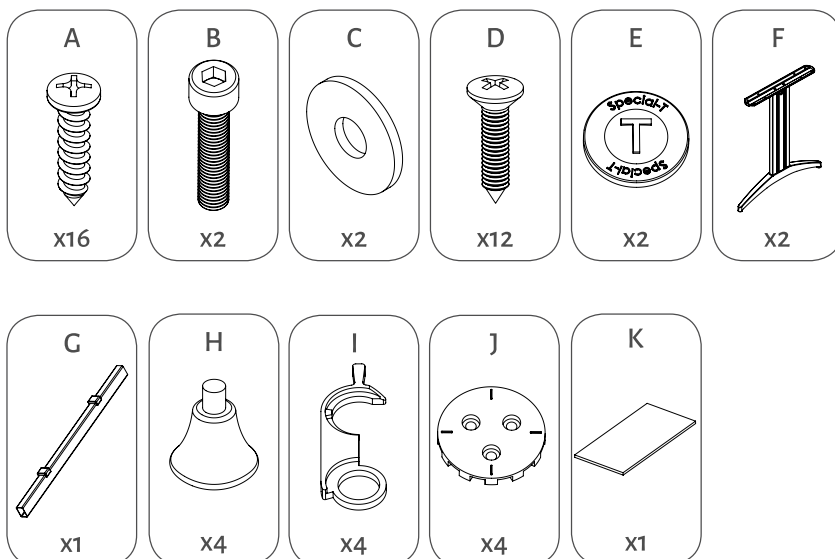
? If you have questions, please call Customer Service Toll Free at 888.705.0777.

! Proper assembly requires two people to stand table upright.

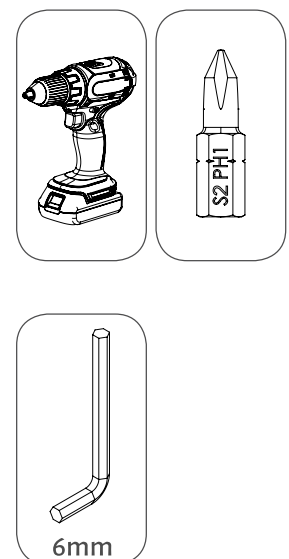
! Start bolts by hand to prevent cross threading.

! Assemble on a soft and smooth surface to prevent damage to your top.

Parts Included



Recommended Tools

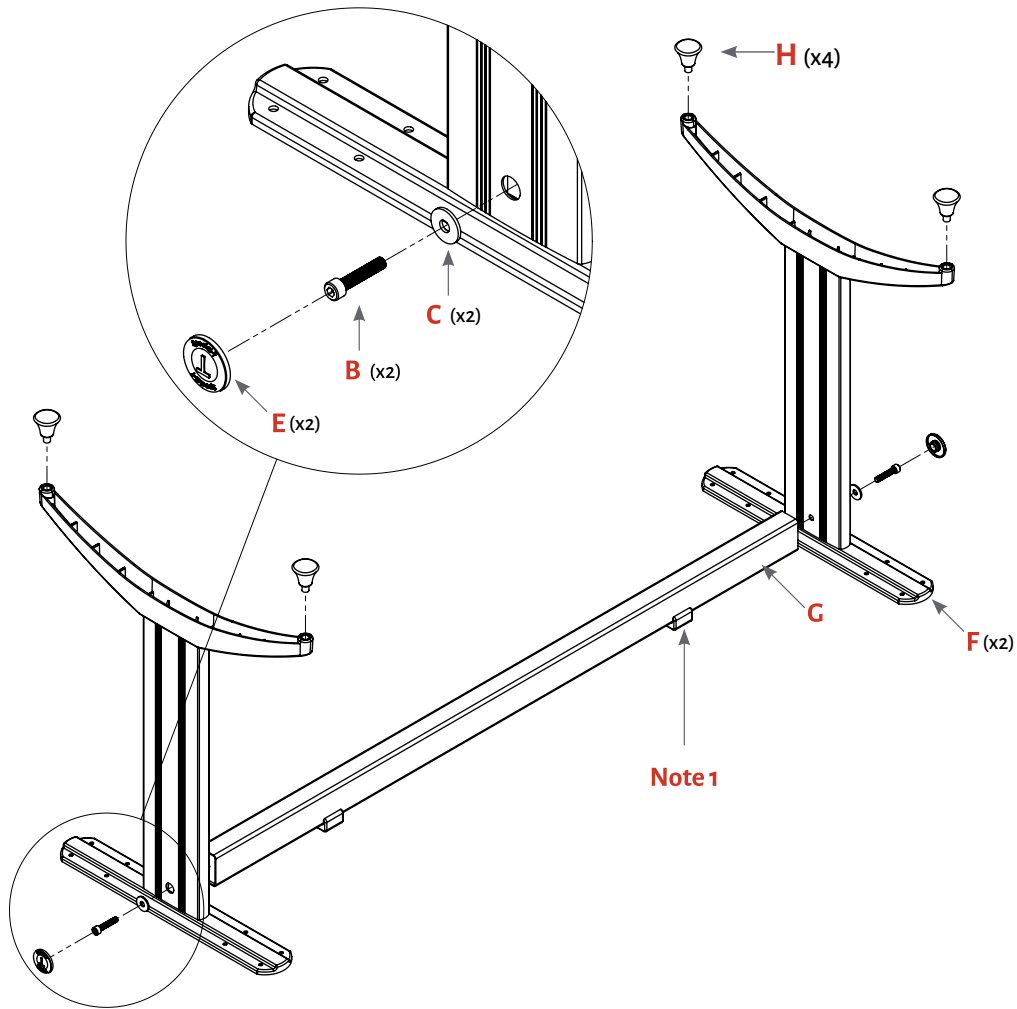


SPECIAL **T**

Assembly Instructions

Assembly

1

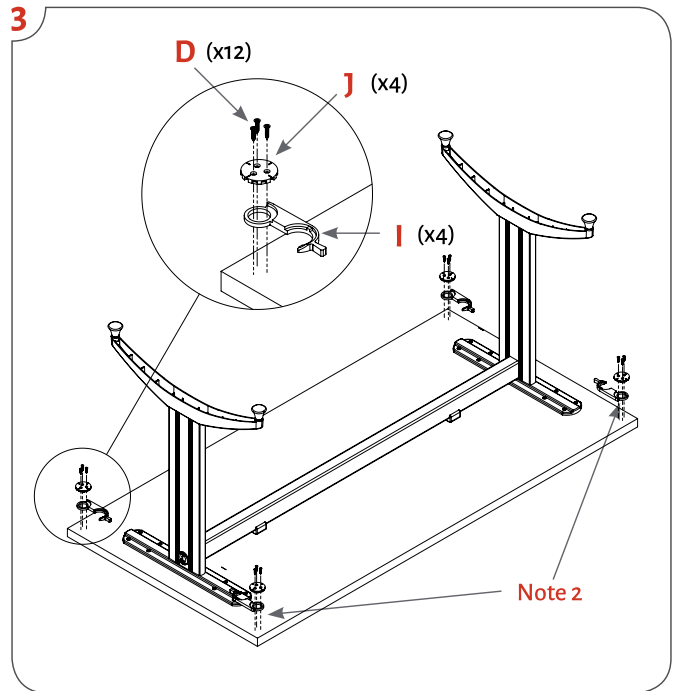
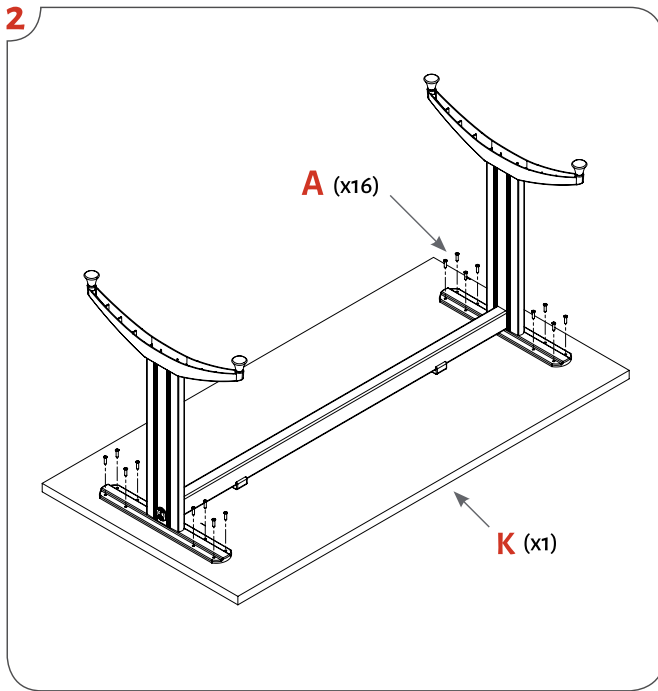


Notes:

- 1) Ensure the rubber bumpers on the support beam ('G') are facing down during assembly.

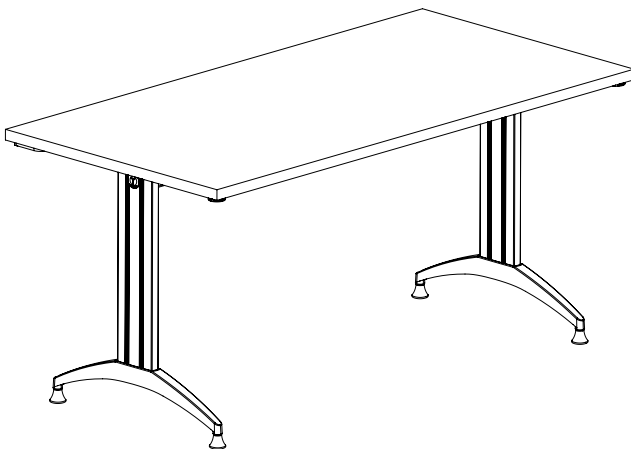
SPECIAL T

Assembly Instructions



Notes:

2) Install the 4 Fleksit connectors ('I' & 'J') on the corners only. Additional predrill locations are available for non-standard configurations.



Enjoy Your Table!