



ASSEMBLY INSTRUCTIONS

PARTS INCLUDED

1. Column with rod
(1) CI-COL-29-3



2. Foot
(1) CI-FOOT



TOOLS NEEDED

- Safety glasses
#3 Phillips drill bit

- Impact drill
Hex Wrench

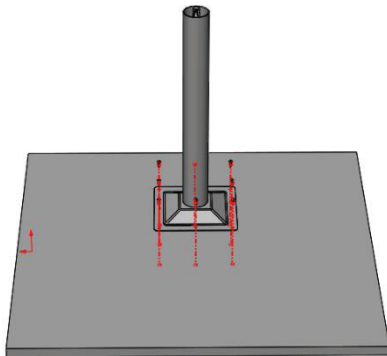
HARDWARE INCLUDED

- (8) Wood screws
(4) Glides
(12) 1/2" pan head wood screws
M-12 Flange lock nut

INSTRUCTIONS

TABLE ASSEMBLY

1. Place the table top upside down on a soft surface to prevent scratching the top
2. Place the column upside down on the underside of the table top
3. Line up the predrilled holes on the table top with the holes in the mounting plate. Use the (8) wood screws, #3 Phillips bit, and impact drill to attach the column to the top



BASE ASSEMBLY

1. Take the CI-FOOT and align the center hole with the threaded steel rod protruding from the base of the column
2. Proceed to lightly turn the base clockwise, screwing the base onto the threaded rod, careful to avoid cross-threading
3. Use the flange lock nut to reinforce attachment of base to column, screwing onto the threaded rod at the bottom of the base
4. Flip assembled table upright
5. Wipe down tabletop
6. Enjoy your table!

