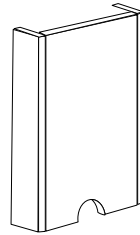


TOOLS NEEDED

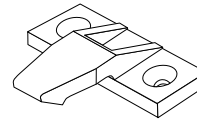
Cordless Drill and #2 Phillips Bit or
 Phillips #2 Screwdriver

PARTS & HARDWARE INCLUDED



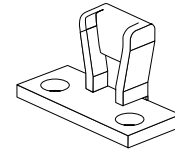
Wire Chase

(1)



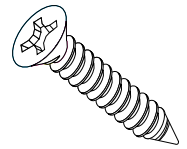
Clip

(4)



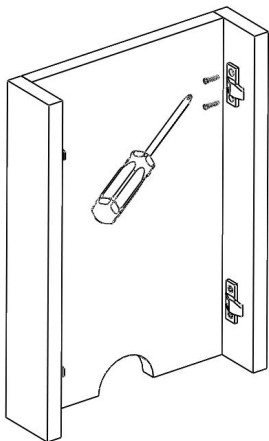
Bracket

(4)

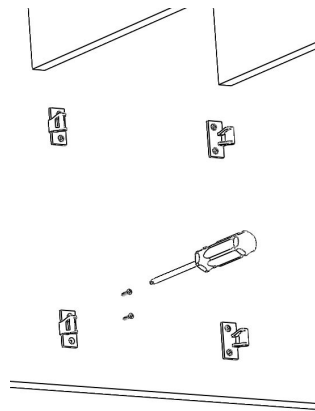


#6 x .75"
 Flat Head Wood
 Screws
 (16)

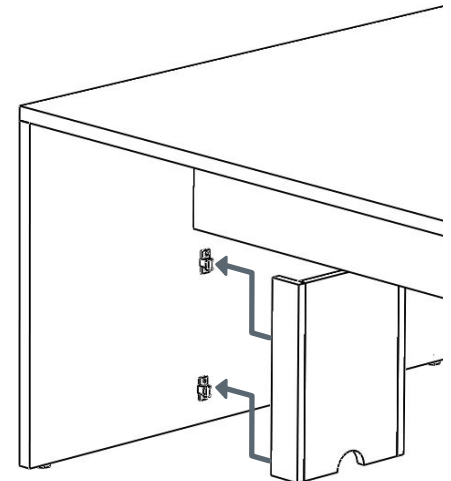
INSTALLING A WOODEN WIRE CHASE



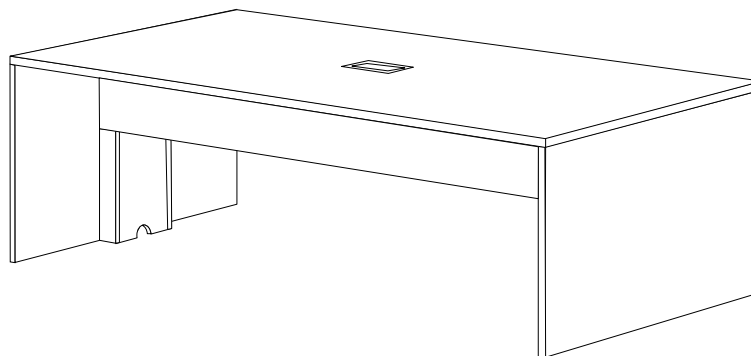
1. Use a Phillips screwdriver or Cordless Drill and wood screws to attach the 4 clips to the Wire Chase.



2. Install the 4 brackets onto the pre-drilled inner side of the Plural table.



3. Align the clips and bracket to mount the Wire Chase. Firmly press the Wire Chase panel against the Plural table to engage the connection.



ASSEMBLED PLURAL TABLE WITH OPTIONAL WIRE CHASE