

SPECIAL **T**

Assembly Instructions

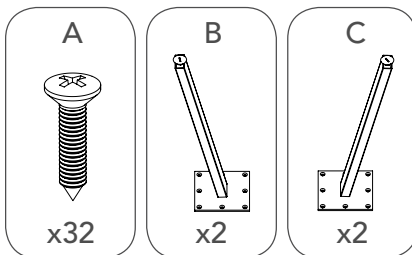


AIM™

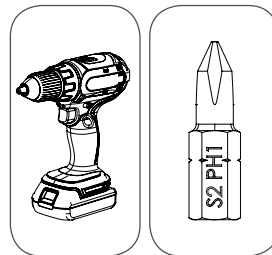
? If you have questions, please call Customer Service Toll Free at 888.705.0777.

- !** Proper assembly requires two people to stand table upright.
- !** Assemble on a soft and smooth surface to prevent damage to your top.
- !** Use all table screws provided to secure the legs to the top.
- !** Installation is the same whether your model has casters or glides.

Parts Included



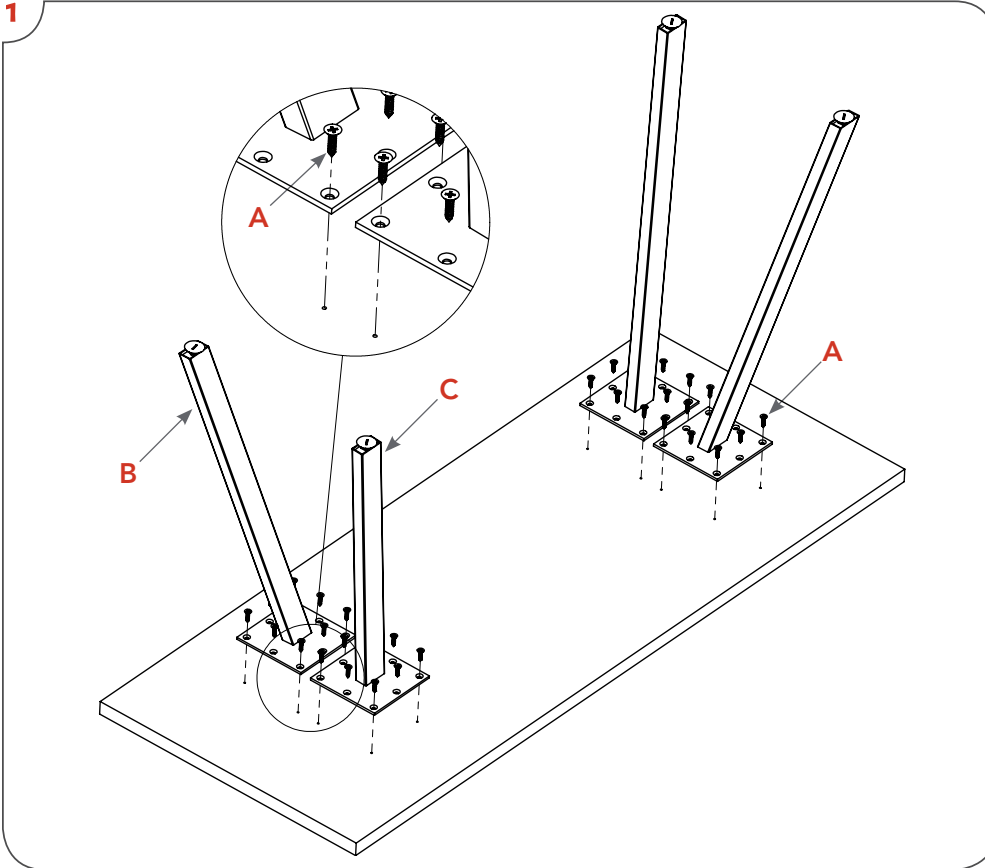
Recommended Tools



SPECIAL T

Assembly Instructions

Assembly



Instructions

- 1 Place top on soft surface with pilot holes facing upwards.
- 2 Align table legs 'B' and 'C' with pilot holes so that the legs are angled towards the corners of the top.
- 3 Install ALL of the provided table screws 'A' with a power drill or screwdriver.
- 4 ENJOY YOUR TABLE!